

# **i** **N** **D** **E** **X**

<b>JET HELMET GIVI HPS® FULL FACE, JET, DEMI-JET - ACCESSORIES</b>	<b>4 - 9</b>
<b>MONOKEY® CASES - SPEEDPACK®</b>	<b>10 - 11</b>
<b>MONOLOCK® CASES - MULTIRACK</b>	<b>12 - 13</b>
<b>PAINTED BAGS</b>	<b>14 - 17</b>
<b>TOP-CASE OPTIONALS - UNIVERSAL WINDSCREENS AND COCKPITS</b>	<b>18 - 21</b>
<b>WINGRACK - MONORACK - PLATES - VARIOUS ITEMS</b>	<b>21 - 22</b>
<b>SOFT LUGGAGE</b>	<b>23 - 27</b>
<b>MOUNTING OPTIONS</b>	<b>28 - 29</b>
<b>APPLICATION CHART (CARRIERS, SCREENS, CUSTOM, SECURITY)</b>	<b>30 - 65</b>
<b>CASE COMPONENT PARTS</b>	<b>66 - 80</b>
<b>GIVI HPS® HELMETS COMPONENT LIST</b>	<b>81</b>
<b>SOFT LUGGAGE COMPONENTS</b>	<b>82 - 83</b>
<b>MULTIRACK - PL... - PLATES - WINGRACK - MONORACK PARTS</b>	<b>84 - 85</b>
<b>EXHIBITORS</b>	<b>86</b>



*M O T O R C Y C L E  
A C C E S S O R I E S*

# FULL FACE HELMET HPS® 9000

**H9001**\_\_\_\_\_ Full face helmet in TRC, monochrome, available in the following standard colours:

SILVER	H9001G730Msize
GREY METALLIC	H9001G743Msize



**H9000**\_\_\_\_\_ Full face helmet in TRC, available in the following standard graphics:

BLACK/RED	H9000BKRDBsize
BLACK/BLUE	H9000BKBLBsize
BLACK/SILVER	H9000BKSLBsize

**H9000**\_\_\_\_\_ Full face helmet in TRC, available in the following standard graphics:

GREEN KAWASAKI	H9000VKNTBsize
----------------	----------------

**H9002**\_\_\_\_\_ Full face helmet in TRC, available in the following standard graphics:

H9002BKBLFsize
H9002WHBLFsize

All colours are available in the following sizes:

<b>XS</b>	(54)
<b>S</b>	(56)
<b>M</b>	(58)
<b>L</b>	(60)
<b>XL</b>	(62)
<b>XXL</b>	(64)

**HPS®**  
**HELMET DIVISION**



**H9000**



**UPPER VENTILATION**



**SIDE VENTILATION**



**LOWER VENTILATION**



**H9002**

**H7001**\_\_\_\_\_ Full face helmet in glass fibre, monochrome, available in the following standard colours:

- |                  |                |
|------------------|----------------|
| SILVER           | H7001G730Msize |
| BLACK SOFT TOUCH | H7001N900Msize |
| BLACK METALLIC   | H7001N901Msize |



**H7000**\_\_\_\_\_ Full face helmet in glass fibre, available in the following standard graphics:

- |              |                |
|--------------|----------------|
| BLUE/SILVER  | H7000BLSAsize  |
| RED/SILVER   | H7000RDSAsize  |
| BLACK/SILVER | H7000BKSAsize  |
| GREY/SILVER  | H7000SLGYAsize |

**H7002**\_\_\_\_\_ Full face helmet in glass fibre, available in the following standard graphics:  
H7002BLRDRsize  
H7002BKSLRsize

All colours are available in the following sizes:

- |            |      |
|------------|------|
| <b>XS</b>  | (54) |
| <b>S</b>   | (56) |
| <b>M</b>   | (58) |
| <b>L</b>   | (60) |
| <b>XL</b>  | (62) |
| <b>XXL</b> | (64) |

**HPS®**  
**HELMET DIVISION**



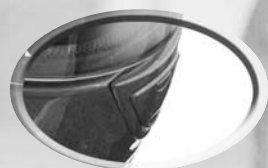
**H7000**



**H7002**



**UPPER VENTILATION**



**LOWER VENTILATION**

## JET HELMET GIVI HPS® 10.1

**H101B**\_\_\_\_\_ Jet helmet, available in the following standard colours:

Painted silver	H101BG730Gsize▲
Non-painted matt black	H101BN900Gsize▲
Painted metallic black	H101BN901Gsize▲

All colours are available in the following sizes:

<b>XS</b>	(54)
<b>S</b>	(56)
<b>M</b>	(58)
<b>L</b>	(60)
<b>XL</b>	(61)



## JET HELMET GIVI HPS® 10.E

**H101E**\_\_\_\_\_

Jet helmet, available in the following standard colours:  
same outer shell as H101

fix inner lining in black (only cheek pads are removable)

external plates in black abs with A900 satin silver GIVI logo.

Painted metallic grey	H101EG743Nsize
Non-painted matt black	H101EN900Nsize

All colours are available in the following sizes:

<b>XS</b>	(54)
<b>S</b>	(56)
<b>M</b>	(58)
<b>L</b>	(60)
<b>XL</b>	(61)

## JET HELMET GIVI HPS® 10.X

**H101X**\_\_\_\_\_ Jet helmet, available in the following standard colours:

Painted silver	H101XG730Gsize
Non-painted matt silver	H101XG740Gsize▲
Non-painted matt black	H101XN900Gsize
Painted metallic black	H101XN901Gsize
Painted blue	H101XB508Gsize

All colours are available in the following sizes:

<b>XS</b>	(54)
<b>S</b>	(56)
<b>M</b>	(58)
<b>L</b>	(60)
<b>XL</b>	(61)



▲= Item available until it runs out of stock

## DEMI-JET HELMET GIVI HPS® 10.2

7

**H102B**\_\_\_\_\_ demi-jet helmet, available in the following standard colours:

Painted silver	H102BG730Gsize
Non-painted matt silver	H102BG740Gsize
Non-painted matt black	H102BN900Nsize
Painted metallic black	H102BN901Nsize
Painted blue	H102BB508Bsize

All colours are available in the following sizes:

<b>XS</b>	(54)
<b>S</b>	(56)
<b>M</b>	(58)
<b>L</b>	(60)
<b>XL</b>	(61)



## DEMI-JET HELMET GIVI HPS® 10.2P

**H102P**\_\_\_\_\_

Demi-jet helmet with lengthened neck lining in soft material covered with fabric being backed in simulated leather, available in the following standard colours:

Painted silver	H102PG730Gsize
Non-painted matt silver	H102PG740Gsize
Non-painted matt black	H102PN900Nsize
Painted metallic black	H102PN901Nsize
Painted blue	H102PB508Bsize

All colours are available in the following sizes:

<b>XS</b>	(54)
<b>S</b>	(56)
<b>M</b>	(58)
<b>L</b>	(60)
<b>XL</b>	(61)

## JET HELMET GIVI HPS® 20.1

**H201B**\_\_\_\_\_ Jet helmet in glass fibre, available in the following standard colours:

Painted silver	H201BG730Gsize
Non-painted matt silver	H201BG740Gsize
Non-painted matt black	H201BN900Nsize
Painted metallic black	H201BN901Nsize
Painted blue	H201BB508Bsize

All colours are available in the following sizes:

<b>XS</b>	(54)
<b>S</b>	(56)
<b>M</b>	(58)
<b>L</b>	(60)
<b>XL</b>	(61)



# ADAPTORS KIT 10.1 • 10.X • 10.2 • 20.1



I101B



I102B



I201B

**I101B** Mobile phone headset adaptor for the use with Givi HPS helmet 10.1 / 10.X

**I102B** Mobile phone headset adaptor for the use with Givi HPS helmet 10.2

**I201B** Mobile phone headset adaptor for the use with Givi HPS helmet 20.1

*with the following telephones:*

## MITSUBISHI

MT30  
MT35  
MT430  
MTD30

## MOTOROLA

A6188  
ELITE  
L7089  
M3188  
M3288  
M3588  
M3688  
M3888

P7398IT  
P7689  
T180  
T189  
T190  
T192  
T2288  
T250  
T260  
T280  
V100  
V3688  
V3690  
V50  
V51

V60  
V60i  
V66  
V70

## NEC

DB2000  
DB4000  
DB4100  
DB500  
MOOVA GSM

**NOKIA**  
8810

## PANASONIC

GD35  
GD52  
GD75  
GD76  
GD87  
GD92  
GD93  
GD95  
GD96

## SAMSUNG

SGHA100  
SGHA110  
SGHA300

## TELIT

ES530  
GM822  
GM824  
GM832  
GM882

## TRIUM

ARIA  
ASTRAL  
GALAXY  
GEO

**I1011** Adaptor kit for use with headset I101B, I102B, I201B, specific for the following **ERICSSON** mobile phones:  
T65 - T68 - T39 - T29 - T28 - R320 - R310 - T18 - R600 - T20 - A2628 - T38 - T60

**I1012** Adaptor kit for use with headset I101B, I102B, I201B, specific for the following **NOKIA** mobile phones: 3210 - 3310  
3360 - 3410 - 3510i - 8210 - 8850 - 8890 - 5510 - 5210 - 6500 - 6510 - 8250 - 8290 - 8310 - 3510i

**I1013** Adaptor kit for use with headset I101B, I102B, I201B, specific for the following **SIEMENS** mobile phones:  
C25 - S25 - C35 - C45 - S35 - M35 - M45 - S45 - A35 - A36 - A40 - SL45 - M50 - 2588 - 3588 - 6688

**I1014** Adaptor kit for use with headset I101B, I102B, I201B, specific for the following **NOKIA** mobile phones:  
5110 - 6110 - 6130 - 6138 - 6150 - 6210 - 6250 - 6310 - 6360 - 7110

**I1015** Adaptor kit for use with headset I101B, I102B, I201B, specific for the following **NOKIA** mobile phones:  
9110 - 9110i - 9210 - 9210i

**I1016** Adaptor kit for use with headset I101B, I102B, I201B, specific for the following **SAMSUNG** mobile phones:  
SGHA288 - SGHN288 - SGHN188 - SGH2100 - SGH2400 - SG800 - SGH2200 - SGH-N100 - SGH-N400

**I1017** Adaptor kit for use with headset I101B, I102B, I201B, specific for the following **SAMSUNG** mobile phones:  
SGHA800 - SGHE100 - SGHE400 - SGHE700 - SGHN500 - SGHN600 - SGHN620 - SGHP100 - SGHP400 - SGHQ200  
SGHS100 - SGHS200 - SGHS500 - SGHT100 - SGHT400 - SGHT410 - SGHV200 - SGHX400 - SGHX600

**I1018** Adaptor kit for use with headset I101B, I102B, I201B, specific for the following **NOKIA** mobile phones:  
3100 - 3200 - 3220 - 3300 - 5100 - 6100 - 6220 - 6230 - 6610 - 6610i - 6650 - 6800 - 6810 - 6820 - 7200  
7210 - 7250 - 7250i - 7600 - 7610 - 7700

<b>ZH101</b>	Helmet holder in foam polyurethane
<b>T433</b>	Jet helmet bag complete with belts and hooks for fitting on the bike seat - Dimensions (w x d x h) : 38 x 30 x 32 cm
<b>Z431T</b>	Visor transparent for Jet HPS 10.1 - 10.X - 20.1
<b>Z431F*</b>	Visor smoked for Jet HPS 10.1 - 10.X - 20.1
<b>Z431L*</b>	Visor transparent, 2 cm. higher than the original for Jet HPS 10.1 - 10.X - 20.1
<b>*WITHOUT HOMOLOGATION</b>	
<b>Z1173*</b>	Anti-scratch transparent visor for Demi-Jet HPS 10.2
<b>Z1193*</b>	Visor smoked for Demi-Jet HPS 10.2
<b>*Z1164RF</b>	Visor smoked - NO FOG - NO DROP
<b>NEW</b>	for full face helmet HPS 9000/7000
<b>*Z1164RA</b>	Visor smoked Iridium-Silver
<b>NEW</b>	for full face helmet HPS 9000/7000
<b>*Z1164RO</b>	Visor smoked Iridium-Gold
<b>NEW</b>	for full face helmet HPS 9000/7000
<b>*Z1164RND</b>	Visor transparent - NO FOG - NO DROP
<b>NEW</b>	for full face helmet HPS 9000/7000
<b>*Z1164RT</b>	Visor transparent - NO FOG
<b>NEW</b>	for full face helmet HPS 9000/7000
<b>I102P</b>	Lengthened neck lining in soft material covered with fabric being backed in simulated leather, suitable to be mounted in HPS 10.2 helmets



## > E21 CRUISER

- E21N** Pair of **CRUISER** panniers, Ltr. 21, (available only as panniers) (black only)
- E21NC** Pair of **CRUISER** panniers, Ltr. 21, with chromed bolts and decorations (available only as panniers) (black only)
- E73** Removable internal soft bag for MONOKEY® cases



## > E36

- **E36N** 36 Ltr. Monokey Top-case/Pannier (black)
- **E36NJ** 36 Ltr. Monokey Top-case **JUNIOR** (economy version) (black only)
- E61** Backrest (black)
- E62A** Monokey Top-case rack
- E68** Backrest (black)
- E73** Removable internal soft bag for MONOKEY® cases



## > E360

- **E360N** 40 Ltr. Monokey Top-case/Pannier (black)
- E81** Metal rack
- E83▲** Backrest (black)
- E73** Removable internal soft bag for MONOKEY® cases



## > E41 KEYLESS

- E41N** Pair of **KEYLESS** panniers, opening lids included (black embossed with opening lid in grey A900)
- E41NN** Pair of **KEYLESS** panniers, opening lids included (black embossed)
- E41NS** Pair of **KEYLESS** panniers, opening lids not included (black embossed, opening lid in standard or specific colors sold separately)
- E410\_ \_ \_** Pair of painted opening lids
- E410NN** Pair of opening lids (black embossed)
- E410A900** Pair of painted opening lids silver opaco
- E73** Removable internal soft bag for MONOKEY® cases



## > E45

- **E45N** 45 Ltr. Monokey Top-case/Pannier (black)
- **E45NJ** Top-case **JUNIOR** 45 Ltr. (economy version) (black only)
- E61** Backrest (black)
- E62A** Monokey Top-case rack
- E68** Backrest (black)
- E73** Removable internal soft bag for MONOKEY® cases





**> V46**

- **V46N\*** 46 Ltr. Monokey top case with cover black embossed
- V46A900** 46 Ltr. Monokey top case with silver cover (black embossed with cover in silver A900)
- C46N** Cover black embossed
- C46\_ \_ \_** Cover painted (standard colours)
- C46\_ \_ \_** Cover painted (specific colours)
- C46A900** Cover painted silver A900
- E95** Backrest (black)
- E95S** Specific back rest for Monokey cases V46 and E52 **MAXIA** covered with black simulated leather with GIVI logo. The inner lining in foam rubber guarantees optimum comfort.
- E105** Stop light
- E106** Inner light
- E107** Metal rack for MONOKEY® Top-case V46 (black)
- E73** Removable internal soft bag for MONOKEY® cases



**WARNING:** check the road regulations in place in your Country before using the present device of light-stop in the public traffic, as homologation may be required which the product does not currently hold.  
**GIVI** hereby declines any responsibility in relation to any possible damage caused to goods or people in respect of the use of its products in violation of the provisions concerning road regulations. **IMPORTANT:** in order to have the V46 case with the cover in a specific color you should order V46N+ the cover in the color you prefer C46\_ \_ \_

**> E460**

- **E460N** 46 Ltr. Monokey Top-case/Pannier (black)
- E79** Backrest (black)
- E81** Metal rack
- E92** Stop light for MONOKEY® case E460
- E73** Removable internal soft bag for MONOKEY® cases

**> E52 MAXIA**

- **E52N** 52 Ltr. **MAXIA** Monokey Top-case (black)
- **E52NC** 52 Ltr. **MAXIA** Monokey Top-case, black embossed (black rear band and chromed decorations)
- **E52NF** 52 Ltr. **MAXIA** Monokey Top-case with stop lamp (black)
- E95** Backrest (black)
- E95S** Specific back rest for Monokey cases V46 and E52 **MAXIA** covered with black simulated leather with GIVI logo. The inner lining in foam rubber guarantees optimum comfort.
- E96** Metal rack
- E96G** Metal rack grey painted A900
- E97** Stop light for MONOKEY® Top-case E 52 **MAXIA**
- E98** Inner lining for MONOKEY® Top-case E 52 **MAXIA** (3 pcs.) (are sold in 3 pieces and are not available separately)
- E73** Removable internal soft bag for MONOKEY® cases



• THESE ITEMS ARE SOLD IN 2 PIECES AND ARE NOT AVAILABLE SEPARATELY  
 PAINTED CASES SEE PAGE 11

**SPEEDPACK®**

- S700\_ \_ \_** ▲ Speedpack, universal aerodynamic Top-case for sport bikes (painted version) Available in:  
 ▲ **G730** (silver - standard)

# MONOLOCK® TOP CASES

FOR SCOOTERS AND MOTORCYCLES. ALL BOXES BELONGING TO THE MONOLOCK RANGE ARE PROVIDED FOR TUBULAR CARRIERS WITH MOUNTING KIT AND UNIVERSAL PLATE.

## > E260 MICRO

- E260N 26 Ltr. **MICRO 2** Top-case with reflector (black)
- E260A900 26 Ltr. **MICRO 2** Top-case, dull silver (tech version)
- E99 Stop light for MONOLOCK Top-case E260 **MICRO 2**
- E102 Backrest (black)



## > E280 BOXY

- E280N 28 Ltr. **BOXY** Monolock Top-case (black) **NET PRICE**
- E71 Backrest (black)



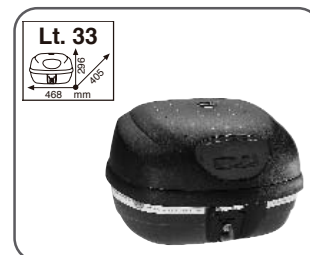
## > E30 TOUR

- E30N 30 Ltr. **TOUR** Monolock Top-case (black) **NET PRICE**
- E103 Backrest for MONOLOCK Top-case E30 **TOUR** (black)
- E104 Stop light for MONOLOCK Top-case E30 **TOUR**



## > E33 POINT

- E33N 33 lt. **POINT** Monolock Top-case (black) **NET PRICE**
- E78 Backrest (black)
- E93 Stop light for MONOLOCK case E33 **POINT**



## > E350 FLOW

- E350N 34 Ltr. **FLOW** Top case with reflector (black)
- E101 Stop light for MONOLOCK Top-case E350 **FLOW**
- E103 Backrest for MONOLOCK Top-case E350 **FLOW** (black)



**> E42 SIMPLY**

- **E42N** 41 Ltr. Monolock Top-case **SIMPLY** (black)  
**E75** Backrest (black)

**NET PRICE****> E450 SIMPLY**

- **E450N** 45 Ltr. Monolock Top-case **SIMPLY** (black)  
 • **E4500N** 45 Ltr. Monolock Top-case **SIMPLY**, (black)  
**E84** Backrest (black)  
**E94** Stop light for MONOLOCK case E450 **SIMPLY**

**> E370**

- **E370N** 39 Ltr. Monolock Top-case (black)  
 • **E370NS** 39 Ltr. Monolock Top-case (black), cover not included.  
**C370N** Cover black embossed  
**C370\_\_** Cover painted (standard and specific colours)  
**E108** Stop light for MONOLOCK case E370 **SIMPLY**  
**E109 NEW** Backrest for MONOLOCK® Top-case E370 (black)



MAX. LOAD	VOLUME	SIZES	CAPACITY	TECHNOLOGY
<b>3Kg</b>	<b>39 lt</b>	324 415 480 mm.		

**> E470 SIMPLY**

- **E470N** 47 Ltr. Monolock Top-case **SIMPLY** (black)  
 • **E470NS** 47 Ltr. Monolock Top-case **SIMPLY** (black), cover not included.  
**C470N** Cover black embossed  
**C470\_\_** Cover painted (standard and specific colours)  
**E4700N NEW** Bauletto MONOLOCK® lt. 47 senza kit e piastra universale (nero) universal rear plate not included.  
**E4700NS NEW** 47 Ltr. Monolock Top-case **SIMPLY** (black), cover and universal rear plate not included.  
**E94** Stop light for MONOLOCK case E470 **SIMPLY**  
**E110 NEW** Backrest for MONOLOCK® Top-case E470 (black)



MAX. LOAD	VOLUME	SIZES	CAPACITY	TECHNOLOGY
<b>3Kg</b>	<b>47 lt</b>	331 425 555 mm.		

- THESE ITEMS ARE SOLD IN 2 PIECES AND ARE NOT AVAILABLE SEPARATELY
  - THESE ITEMS ARE SOLD IN 4 PIECES AND ARE NOT AVAILABLE SEPARATELY
- PAINTED CASES SEE PAGE 11

**MULTIRACK**

- S501▲** Detachable Multirack plate for fitting to the pillion seat (black▲). Complete with MONOKEY® case attachment fitting kit.  
**T10N** Elastic carrying net for MULTIRACK (black only)

## PAINTED BAGS

TOP CASE

PRICE

BASIC COLOURS AND CORRESPONDING CODE

BLUE  
B508RED  
R300METAL.  
RED  
R301SILVER  
G730BLACK  
N902METAL.  
BLACK  
N901

<b>E21</b>				E21 <b>G730</b>	E21 <b>N902</b>	
<b>E260</b>	E260 <b>B508</b>			E260 <b>G730</b>	E260 <b>N902</b>	E260 <b>N901</b>
<b>E280</b>				E280 <b>G730</b>		
<b>E30</b>				E30 <b>G730</b>	E30 <b>N902</b>	
<b>E33</b>				E33 <b>G730</b>	E33 <b>N902▲</b>	
<b>E350</b>	E350 <b>B508</b>			E350 <b>G730</b>	E350 <b>N902</b>	E350 <b>N901</b>
<b>E360</b>				E360 <b>G730</b>	E360 <b>N902</b>	
<b>E370</b>				E370 <b>G730</b>	E370 <b>N902</b>	E370 <b>N901</b>
<b>E41</b>				E41 <b>G730</b>	E41 <b>N902</b>	
<b>E410</b>		E410 <b>R300▲</b>	E410 <b>R301</b>	E410 <b>G730</b>	E410 <b>N902</b>	E410 <b>N901</b>
<b>E450</b>	E450 <b>B508</b>		E450 <b>R301</b>	E450 <b>G730</b>	E450 <b>N902</b>	E450 <b>N901</b>
<b>E460</b>	E460 <b>B508▲</b>		E460 <b>R301</b>	E460 <b>G730</b>	E460 <b>N902</b>	
<b>E470</b>				E470 <b>G730</b>	E470 <b>N902</b>	E470 <b>N901</b>
<b>E52</b>	E52 <b>B508</b>	E52 <b>R300</b>	E52 <b>R301</b>	E52 <b>G730</b>	E52 <b>N902</b>	E52 <b>N901</b>
<b>V46</b>				V46 <b>G730</b>	V46 <b>N902</b>	
<b>C46</b>	C46 <b>B508▲</b>		C46 <b>R301</b>	C46 <b>G730</b>	C46 <b>N902</b>	
<b>C370</b>	C370 <b>B508</b>	C370 <b>2R300</b>		C370 <b>G730</b>	C370 <b>N902</b>	C370 <b>N901</b>
<b>C470</b>	C470 <b>B508</b>	C470 <b>2R300</b>	C470 <b>R301</b>	C470 <b>G730</b>	C470 <b>N902</b>	C470 <b>N901</b>

**IMPORTANT: GIVI won't be considered responsible for any difference between the colours listed below and the colours actually produced by motorcycle manufacturers. A colour is defined "matchable" (◆) because our Technical Dept. has simply considered the proposed shade compatible with the original one, not identical.**

● = SPECIFIC COLOR ◆ = ADAPTABLE COLOR ▲ = ITEM AVAILABLE UNTIL IT RUNS OUT OF STOCK **NEW** = NEW COLOR

BRAND / MODEL	COLOR	CODE	AVAILABLE SIDECASE / TOP-CASE	BRAND / MODEL	COLOR	CODE	AVAILABLE SIDECASE / TOP-CASE
<b>APRILIA</b>				People 50/125/150 (03 - > 05)			
Atlantic 125/250 (04)	Blue Coast	●B563	E52▲		Antracite Ardesia	●G727	C370,E350▲
Atlantic 500 (02-03)	Blue Coast	●B563	E52▲		Benaco Blue	●B573	C370,C470,E350
	Atlantic Blue	◆B508	,SEE STANDARD COLORS.	People 50/125/150 (04-05)	Silver Met.	◆G730	,SEE STANDARD COLORS.
Atlantic 500 (04)	Titanic Grey	●G763	C370,E350	People 50/125/200 (05)	Verbania Blue	●B586	C370
Leonardo 125-150-200 (02-03)	Aprilia Black	◆N902	,SEE STANDARD COLORS.		Franciacorta Red	●R347	C370
Scarabeo 50 (05)	Titanic Grey	●G763	C370,E350	People 250 (03-04)	Antracite Ardesia	●G727	C370,E350▲
	<b>NEW</b> Cambridge White	●B908	C370	People 250 (03 - > 05)	Benaco Blue	●B573	C370,C470,E350
Scarabeo 125/200 (02)	Aprilia Black	◆N902	,SEE STANDARD COLORS.		Pavia Red	●R333	C370,C470,E350▲
Sportcity 125/200 (04)	Darkness Black	◆N901	,SEE STANDARD COLORS.	People 250 (04-05)	Silver Met.	◆G730	,SEE STANDARD COLORS.
	Titanic Grey	●G763	C370,E350		Smoke Black	●N907	C370,C470,E280▲,E350
	Mirror Silver	◆G730	,SEE STANDARD COLORS.	Xciting 500 (05)	Silver Met.	◆G730	,SEE STANDARD COLORS.
Sportcity 125/200 (05)	Darkness Black	◆N901	,SEE STANDARD COLORS.		Benaco Blue	●B573	C370,C470,E350
	Titanic Grey	●G763	C370,E350		Smoke Black	●N907	C370,C470,E280▲,E350
	Mirror Silver	◆G730	,SEE STANDARD COLORS.	<b>HONDA SCOOTER</b>			
	<b>NEW</b> Cambridge White	●B908	C370	Nes @ 125/150 (02-03)	Cyclone Blue Met.	◆B508	,SEE STANDARD COLORS.
Scarabeo 500 (05)	<b>NEW</b> Cambridge White	●B908	C370		Force Silver Met.	◆G730	,SEE STANDARD COLORS.
					Moody Blue	●B552	E410▲,E450,E52▲
<b>GILERA SCOOTER</b>				Nes @ 125/150 (04)	Pearl Montana Blue	●B578	C370,C470,E30,E450▲
Nexus 500 (04-05)	Grey Ghiaccio	◆G730	,SEE STANDARD COLORS.	Nes @ 125/150 (05)	Matte Plutonium Silver	◆A900	C370,C46,E260,E410▲,V46
	Dragon Red	◆R300	,SEE STANDARD COLORS.	Nes @ 125/150 Two Tone (05)	Petrol Blue Met.	◆V619	E30,E450▲
					Matte Navona Beige	●M808	C370
<b>KYMCO SCOOTER</b>					Matte Plutonium Silver	◆A900	C370,C46,E260,E410▲,V46
B&W 50/125/150/250 (04)	Racing Red	●R324	C370,C470,E450	Dylan 125/150 (02)	Force Silver Met.	◆G730	,SEE STANDARD COLORS.
B&W 50/125/150/250 (04-05)	Silver Met.	◆G730	,SEE STANDARD COLORS.		Red Met.	◆R301	,SEE STANDARD COLORS.
	Benaco Blue	●B573	C370,C470,E350	Dylan 125/150 (02-03)	Max Grey Met.	●G752	E30▲
	Smoke Black	●N907	C370,C470,E280▲,E350	Dylan 125/150 (03 - > 05)	Force Silver Met.	◆G730	,SEE STANDARD COLORS.
Dink Classic 50/125 (03)	Silver Met.	◆G730	,SEE STANDARD COLORS.		Candy Calcutta Red Met.	●R341	E30▲
Dink Classic 50/125 (04-05)	Silver Met.	◆G730	,SEE STANDARD COLORS.	Dylan 125/150 (04-05)	Candy Xenon Blue	◆B529	E410,E450,E52,C46,C370,C470
	Benaco Blue	●B573	C370,C470,E350	Pantheon 125/150 (01)	Cynos Grey Met.	◆N916	E410▲,C370,C470
	Smoke Black	●N907	C370,C470,E280▲,E350	Pantheon 125/150 (01 - > 03)	Cyclone Blue Met.	◆B508	,SEE STANDARD COLORS.
Dink Classic 150 (03-04)	Silver Met.	◆G730	,SEE STANDARD COLORS.	Pantheon 125/150 (02-03)	Heavy Grey Met.	◆N916	E410▲,C370,C470
Dink Classic 150 (04)	Smoke Black	●N907	C370,C470,E280▲,E350	Pantheon 125/150 (03-04)	Candy Xenon Blue	◆B529	E410,E450,E52,C46,C370,C470
Dink Classic 200 (04)	Silver Met.	◆G730	,SEE STANDARD COLORS.	Pantheon 125/150 (02 - > 05)	Force Silver Met.	◆G730	,SEE STANDARD COLORS.
	Benaco Blue	●B573	C370,C470,E350	Pantheon 125/150 (03 - > 05)	Interstellar Black Met.	●N920	E450▲,C470
	Smoke Black	●N907	C370,C470,E280▲,E350	Pantheon 125/150 (04)	Petrol Blue Met.	◆V619	E30,E450▲
Grand Dink 125/150/250 (03 - > 05)	Silver Met.	◆G730	,SEE STANDARD COLORS.	Pantheon 125/150 (04-05)	Pearl Montana Blue	●B578	C370,C470,E30,E450▲
	Smoke Black	●N907	C370,C470,E280▲,E350	Pantheon 125/150 (05)	Velvet Red Met.	◆R345	C370,C470,E450
	Racing Red	●R324	C370,C470,E450	SH 125/150 (02)	Black	◆N902	,SEE STANDARD COLORS.
Grand Dink 125/150/250 (04-05)	Benaco Blue	●B573	C370,C470,E350		Cyclone Blue Met.	◆B508	,SEE STANDARD COLORS.
Movie XL 125/150 (04-05)	Silver Met.	◆G730	,SEE STANDARD COLORS.		Force Silver Met.	◆G730	,SEE STANDARD COLORS.
	Smoke Black	●N907	C370,C470,E280▲,E350		Petrol Blue Met.	◆V619	C370
	Benaco Blue	●B573	C370,C470,E350	SH 125/150 (03)	Cyclone Blue Met.	◆B508	,SEE STANDARD COLORS.

BRAND / MODEL	COLOR	CODE	AVAILABLE SIDECASE / TOP-CASE	BRAND / MODEL	COLOR	CODE	AVAILABLE SIDECASE / TOP-CASE
	Light Blue	●B570	C46	XL 650 V Transalp (04-05)	Pearl Breezy Blue	◆B572	C46,E410,C470,E52
	Candy Calcutta Red Met.	●R341	E30▲	XL 650 V Transalp (05)	Spangle Silver Met.	◆G765	C46,C370,C470
	Force Silver Met.	◆G730	„SEE STANDARD COLORS.	NTV 650 Deauville (03 -> 05)	Shield Silver Met.	◆G730	„SEE STANDARD COLORS.
	Interstellar Black Met.	●N920	E450▲,C470	NTV 650 Deauville (05)	Spangle Silver Met.	◆G765	C46,C370,C470
	Petrol Blue Met.	●V619	C370	VFR 800 V-TEC (02-03)	Black	◆N902	„SEE STANDARD COLORS.
SH 125/150 (04)	Force Silver Met.	◆G730	„SEE STANDARD COLORS.		Force Silver Met.	◆G730	„SEE STANDARD COLORS.
	Candy Calcutta Red Met.	●R341	E30▲		Lapis Blue	◆B508	„SEE STANDARD COLORS.
	Interstellar Black Met.	●N920	E450▲,C470	VFR 800 V-TEC (04-05)	Digital Silver Met.	●G765	C46,C370,C470
	Pearl Montana Blue	●B578	C370,E30,E450▲		Pearl Heron Blue	◆B572	C46,E410,C470,E52
	Petrol Blue Met.	◆V619	C370,E450▲	CBR 900 F Hornet (02)	Black	◆N902	„SEE STANDARD COLORS.
SH i 125/150 (05)	Cynos Grey Met.	◆N916	E410▲,C370		Candy Tahitian Blue	●B529	E410▲,E450,E52,C46,C370,C470
	Pearl Montana Blue	●B578	C370,E30,E450▲	CBR 900 F Hornet (04)	Digital Silver Met.	●G765	C46,C370,C470
	Quasar Silver Met.	◆G765	C46,C370,C470	VFR 800 V-TEC (05)	Candy Glory Red	◆R301	„SEE STANDARD COLORS.
	Velvet Red Met.	◆R345	C370,E450		Digital Silver Met.	●G765	C46,C370,C470
	Iceland Blue Met.	●B585	C370		Black	◆N902	„SEE STANDARD COLORS.
Foresight 250 (02)	Grey Silver	◆N916	E410▲,C370,C470	CBR 900 RR Fireblade (02)	Lapis Blue	◆B508	„SEE STANDARD COLORS.
Foresight 250 (02 -> 04)	Cyclone Blue Met.	◆B508	„SEE STANDARD COLORS.		Italian Red	◆R300	„SEE STANDARD COLORS.
	Heavy Grey Met.	◆N916	E410▲,C370,C470	CBR 900 RR Fireblade (02-03)	Candy Tahitian Blue	●B529	E410▲,E450,E52,C46,C370,C470
Foresight 250 (04-05)	Interstellar Black Met.	●N920	E450▲,C470	CBR 900 RR Fireblade (03)	Black	◆N902	„SEE STANDARD COLORS.
Foresight 250 (05)	Force Silver Met.	◆G730	„SEE STANDARD COLORS.	CBR 900 RR Fireblade (05)	Italian Red	◆R300	„SEE STANDARD COLORS.
	Pearl Montana Blue	●B578	C370,C470,E30,E450▲				
	Delta Blue Met.	●B583	C46,C470	XL 1000 V Varadero / ABS (02)	Candy Tahitian Blue	●B529	E410▲,E450,E52,C46,C370,C470
				XL 1000 V Varadero / ABS (03)	Candy Tahitian Blue	●B529	E410▲,E450,E52,C46,C370,C470
Jazz 250 (02)	Grey Silver	◆G730	„SEE STANDARD COLORS.		Pearl Breezy Blue	◆B572	C46,E410,C470,E52
	Lapis Blue	◆B508	„SEE STANDARD COLORS.		Shield Silver Met.	◆G730	„SEE STANDARD COLORS.
	Red Met.	◆R301	„SEE STANDARD COLORS.	XL 1000 V Varadero / ABS (04)	Mute Black Met.	◆N902	„SEE STANDARD COLORS.
Jazz 250 (02-03)	Pure Black	◆N902	„SEE STANDARD COLORS.		Pearl Breezy Blue	◆B572	C46,E410,C470,E52
Jazz 250 (03)	Candy Glory Red	◆R301	„SEE STANDARD COLORS.		Shield Silver Met.	◆G730	„SEE STANDARD COLORS.
Jazz 250 (03-04)	Cyclone Blue Met.	◆B508	„SEE STANDARD COLORS.	XL 1000 V Varadero / ABS (05)	Pearl Breezy Blue	◆B572	C46,E410,C470,E52
Jazz 250 (04-05)	Pearl Montana Blue	●B578	C370,C470,E30,E450▲		Shield Silver Met.	◆G730	„SEE STANDARD COLORS.
Jazz 250 (03 -> 05)	Force Silver Met.	◆G730	„SEE STANDARD COLORS.	CBR 1100 XX (02-03)	Candy Tahitian Blue	●B529	E410▲,E450,E52,C46,C370,C470
	Interstellar Black Met.	●N920	E450▲,C470	CBR 1100 XX (02 -> 05)	Accurate Silver Met.	◆G730	„SEE STANDARD COLORS.
Jazz 250 (05)	Candy Glory Red	◆R301	„SEE STANDARD COLORS.		Darkness Black Met.	◆N913	C46
Jazz 250 ES-ABS (05)	Force Silver Met.	◆G730	„SEE STANDARD COLORS.	X11 (02-03)	Black	◆N902	„SEE STANDARD COLORS.
Silver Wing 600 (03-04)	Force Silver Met.	◆G730	„SEE STANDARD COLORS.		Candy Tahitian Blue	●B529	E410▲,E450,E52,C46,C370,C470
Silver Wing 600 (03 -> 05)	Pearl Great Blue	◆B508	„SEE STANDARD COLORS.	ST 1300 Pan European / ABS (04-05)	Digital Silver Met.	●G765	C46,C370,C470
Silver Wing 600 (05)	Digital Silver Met.	●G765	C46,C370,C470	CB 1300 (03)	Force Silver Met.	◆G730	„SEE STANDARD COLORS.
Silver Wing 600 ABS (02)	Pearl Great Blue	◆B508	„SEE STANDARD COLORS.	CB 1300 (04-05)	Pearl Heron Blue	◆B572	C46,E410,C470,E52
Silver Wing 600 ABS (02 -> 04)	Force Silver Met.	◆G730	„SEE STANDARD COLORS.	CB 1300 (03 -> 05)	Darkness Black Met.	◆N913	C46
Silver Wing 600 ABS (05)	Digital Silver Met.	●G765	C46,C370,C470				
<b>HONDA</b>				<b>PIAGGIO SCOOTER</b>			
CBR 125 R (04-05)	Black	◆N902	„SEE STANDARD COLORS.	Fly 50/125/150 (05)	Excalibur Grey	●G757	E350,E450,E30,C370,C470
XL 125 V Varadero (01)	Moody Blue	●B552	E410▲,E450,E52▲		Black Painted	◆N902	„SEE STANDARD COLORS.
XL 125 V Varadero (04)	Black	◆N902	„SEE STANDARD COLORS.	Liberty 50 (03)	Dragon Red	◆R300	„SEE STANDARD COLORS.
	Britanny Silver Met.	◆G744	E410▲,C46,E52		Blue Reale	●B561	E450
CB 500 (02-03)	Moody Blue	●B552	E410▲,E450,E52▲		Black Painted	◆N902	„SEE STANDARD COLORS.
	Black	◆N902	„SEE STANDARD COLORS.	Liberty 50 Catalyzed / 4T (04)	Blue Imperiale	●B575	E350,E450,E30,C370,C470
CBF 500 (04-05)	Candy Xenon Blue	◆B529	E410,E450,E52,C46,C370,C470	Liberty 50 Catalyzed / 4T (04-05)	Blue Aurora	●B582	E350▲,E30,C370
	Black	◆N902	„SEE STANDARD COLORS.		Excalibur Grey	●G757	E350,E450,E30,C370,C470
	Force Silver Met.	◆G730	„SEE STANDARD COLORS.		Red Karcadé	●R343	E350,E30,C370,C470
CB 600 F Hornet (02-03)	Candy Xenon Blue	◆B529	E410,E450,E52,C46,C370,C470	Liberty 50 Catalyzed / 4T (05)	Grafite Black	●N923	E450,C370,C470
	Black	◆N902	„SEE STANDARD COLORS.	Vespa ET2/ET4 50 (04)	Blue Cobalto	●B539	E450▲
CB 600 F Hornet (03-04)	Matte Plutonium Silver	◆A900	C370,C46,E260,E410▲,V46		Black Painted	◆N902	„SEE STANDARD COLORS.
CB 600 F Hornet (04)	Mat. Xenon Blue Met.	●B577	C46	Vespa ET2/ET4 50 (04-05)	Blue Aurora	●B582	E350▲,E30,C370
CB 600 F Hornet (04-05)	Interstellar Black Met.	●N920	E450▲,C470		Excalibur Grey	●G757	E350,E450,E30,C370,C470
CB 600 F Hornet (05)	Quasar Silver Met.	◆G765	C46,C370,C470	Vespa ET2/ET4 50 (05)	Dragon Red	◆R300	„SEE STANDARD COLORS.
CB 600 F Hornet S (05)	Force Silver Met.	◆G730	„SEE STANDARD COLORS.		Grafite Black	●N923	E450,C370,C470
CBR 600 F (02)	Lapis Blue	◆B508	„SEE STANDARD COLORS.	Zip 50 4T (05)	Dragon Red	◆R300	„SEE STANDARD COLORS.
	Accurate Silver Met.	◆G730	„SEE STANDARD COLORS.		Black Painted	◆N902	„SEE STANDARD COLORS.
CBR 600 F (03 -> 05)	Black	◆N902	„SEE STANDARD COLORS.	Beverly 125 (01)	Blue Cobalto	●B539	E450▲
CBF 600 (04-05)	Excalibur Grey Met.	●G760	C46▲		Blue Reale	●B561	E450
	Accurate Silver Met.	◆G730	„SEE STANDARD COLORS.		Black Painted	◆N902	„SEE STANDARD COLORS.
	Pearl Breezy Blue	◆B572	C46,E410,C470,E52	Beverly 125 (03)	Blue Reale	●B561	E450
CBF 600 (05)	Interstellar Black Met.	●N920	E450▲,C470		Black Painted	◆N902	„SEE STANDARD COLORS.
	North Pole Blue	●B570	C46	Beverly 125 (04)	Black Painted	◆N902	„SEE STANDARD COLORS.
CBF 600 N (05)	Max Grey Met.	●G752	E450▲,C470	Beverly 125 (04-05)	Blue Imperiale	●B575	E350,E450,E30,C370,C470
	Force Silver Met.	◆G730	„SEE STANDARD COLORS.		Excalibur Grey	●G757	E350,E450,E30,C370,C470
XL 650 V Transalp (02)	Accurate Silver Met.	◆G730	„SEE STANDARD COLORS.		Red Karcadé	●R343	E350,E30,C370,C470
	Moody Blue	●B552	E410▲,E450,E52▲	Beverly 125 (05)	Grafite Black	●N923	E450,C370,C470
XL 650 V Transalp (02-03)	Cynos Grey Met.	◆N916	E410▲,C370,C470	Liberty 125 (02)	Blue Cobalto	●B539	E450▲
XL 650 V Transalp (03)	Pearl Breezy Blue	◆B572	C46,E410,C470,E52	Liberty 125 (02-03)	Blue Reale	●B561	E450
XL 650 V Transalp (04)	Shield Silver Met.	◆G730	„SEE STANDARD COLORS.		Black Painted	◆N902	„SEE STANDARD COLORS.
				Liberty 125 4T (04)	Blue Imperiale	●B575	E350,E450,E30,C370,C470

BRAND / MODEL	COLOR	CODE	AVAILABLE SIDECASE / TOP-CASE	BRAND / MODEL	COLOR	CODE	AVAILABLE SIDECASE / TOP-CASE
Liberty 125 4T (04-05)	Blue Aurora	●B582	E350▲,E30,C370	Beverly 500 (05)	Grafite Black	●N923	E450,C370,C470
	Excalibur Grey	●G757	E350,E450,E30,C370,C470				
	Red Karcadé	●R343	E350,E30,C370,C470				
Liberty 125 4T (05)	Grafite Black	●N923	E450,C370,C470	<b>SUZUKI SCOOTER</b>			
Skipper ST 125/150 (04)	Black Painted	◆N902	,SEE STANDARD COLORS.	UH Burgman 125/150 (02)	Sonic Silver Met.	◆G730	,SEE STANDARD COLORS.
	Excalibur Grey	●G757	E350,E450,E30,C370,C470		Candy Grand Blue	●B545	C46,E450,E410▲,C470
Super Hexagon ST 125 (02-03)	Blue Reale	●B561	E450	UH Burgman 125/150 (03)	Sonic Silver Met.	◆G730	,SEE STANDARD COLORS.
	Black Painted	◆N902	,SEE STANDARD COLORS.		Candy Grand Blue	●B545	C46,E450,E410▲,C470
Vespa 125 Granturismo (04)	Black Painted	◆N902	,SEE STANDARD COLORS.		Black	◆N901	,SEE STANDARD COLORS.
	Smoky Grey	●G754	E350,E450,C370,C470	UH Burgman 125/150 (04)	Sonic Silver Met.	◆G730	,SEE STANDARD COLORS.
	Excalibur Grey	●G757	E350,E450,E30,C370,C470		Antracite	●G756	C46
	Blue Imperiale	●B575	E350,E450,E30,C370,C470		Deep Blue	●B572	C46,E410,C470,E52
Vespa ET4 125/150 (02-03)	Blue Cobalto	●B539	E450▲	UH Burgman 125/150 (05)	Sonic Silver Met.	◆G730	,SEE STANDARD COLORS.
Vespa ET4 125/150 (02 -> 04)	Black Painted	◆N902	,SEE STANDARD COLORS.		Candy Grand Blue	●B545	C46,E450,E410▲,C470
Vespa ET4 125/150 (04-05)	Blue Aurora	●B582	E350▲,E30,C370		Black	◆N901	,SEE STANDARD COLORS.
	Blue Imperiale	●B575	E350,E450,E30,C370,C470	Epicuro 125/150 (02-03)	Sonic Silver Met.	◆G730	,SEE STANDARD COLORS.
	Excalibur Grey	●G757	E350,E450,E30,C370,C470		Blue	●B548	C46,E410,C52
Vespa ET4 125/150 (04-05)	Red Karcadé	●R343	E350,E30,C370,C470	AN Burgman 250 (02-03)	Sonic Silver Met.	◆G730	,SEE STANDARD COLORS.
	Grafite Black	●N923	E450,C370,C470	AN Burgman 250 (04)	Sonic Silver Met.	◆G730	,SEE STANDARD COLORS.
Vespa PX 125/150 (04-05)	Blue Imperiale	●B575	E350,E450,E30,C370,C470		Blue	●B579	C46
	Black Painted	◆N902	,SEE STANDARD COLORS.	AN Burgman 250 (05)	Sonic Silver Met.	◆G730	,SEE STANDARD COLORS.
	Excalibur Grey	●G757	E350,E450,E30,C370,C470		Deep Blue	●B572	C46,E410,C470,E52
Vespa PX 125/150 (05)	Smoky Grey	●G754	E350,E450,C370,C470	AN Burgman 250 Business (02)	Blue	●B548	C46,E410,C52
Vespa 125/200 Granturismo (04)	Black Painted	◆N902	,SEE STANDARD COLORS.	AN Burgman 250 Business (03)	Sonic Silver Met.	◆G730	,SEE STANDARD COLORS.
Vespa 125/200 Granturismo (04-05)	Blue Imperiale	●B575	E350,E450,E30,C370,C470		Blue	●B548	C46,E410,C52
	Excalibur Grey	●G757	E350,E450,E30,C370,C470	AN Burgman 400 (02)	Sonic Silver Met.	◆G730	,SEE STANDARD COLORS.
	Smoky Grey	●G754	E350,E450,C370,C470	AN Burgman 400 (03)	Sonic Silver Met.	◆G730	,SEE STANDARD COLORS.
Vespa 125/200 Granturismo (05)	Grafite Black	●N923	E450,C370,C470		Blue	●B548	C46,E410,C52
X8 125/200 (04)	Black Painted	◆N902	,SEE STANDARD COLORS.	AN Burgman 400 (04)	Sonic Silver Met.	◆G730	,SEE STANDARD COLORS.
	Cherry Red	●R342	E450,E350,C470		Blue	●B579	C46
X8 125/200 (04-05)	Excalibur Grey	●G757	E350,E450,E30,C370,C470		Antracite	●G756	C46
	Cachemere Grey	●G758	E350,E450,C370,C470	AN Burgman 400 (05)	Sonic Silver Met.	◆G730	,SEE STANDARD COLORS.
X9 Amalfi 125 (02)	Blue Cobalto	●B539	E450▲		Deep Blue	●B572	C46,E410,C470,E52
	Blue Reale	●B561	E450		Pearl Nebular Black	◆N902	,SEE STANDARD COLORS.
X9 125 (03)	Blue Reale	●B561	E450	AN Burgman 400 Business (02)	Blue	●B548	C46,E410,C52
	Black Painted	◆N902	,SEE STANDARD COLORS.	AN Burgman 400 Business (03)	Sonic Silver Met.	◆G730	,SEE STANDARD COLORS.
X9 125/250 Evolution (04)	Black Painted	◆N902	,SEE STANDARD COLORS.		Blue	●B548	C46,E410,C52
X9 125/250 Evolution (04-05)	Excalibur Grey	●G757	E350,E450,E30,C370,C470	AN Burgman 650 (02)	Sonic Silver Met.	◆G730	,SEE STANDARD COLORS.
	Smoky Grey	●G754	E350,E450,C370,C470		Blue	◆B508	,SEE STANDARD COLORS.
	Blue Imperiale	●B575	E350,E450,E30,C370,C470	AN Burgman 650 (03-04)	Sonic Silver Met.	◆G730	,SEE STANDARD COLORS.
X9 125/250 Evolution (05)	Grafite Black	●N923	E450,C370,C470		Abisso Blue	●B548	C46,E410,C52
Liberty 150 (02)	Blue Cobalto	●B539	E450▲	AN Burgman 650 Business (04)	Sonic Silver Met.	◆G730	,SEE STANDARD COLORS.
Liberty 150 (02-03)	Blue Reale	●B561	E450	AN Burgman 650 Executive (05)	Sonic Silver Met.	◆G730	,SEE STANDARD COLORS.
	Black Painted	◆N902	,SEE STANDARD COLORS.		Pearl Nebular Black	◆N902	,SEE STANDARD COLORS.
Super Hexagon 180 (02-03)	Blue Reale	●B561	E450				
	Black Painted	◆N902	,SEE STANDARD COLORS.	<b>SUZUKI</b>			
X9 Amalfi 180 (02-03)	Blue Cobalto	●B539	E450▲	GS 500 E (02)	Candy Grand Blue	●B545	C46,E450,E410▲,C470
	Blue Reale	●B561	E450		Black	◆N901	,SEE STANDARD COLORS.
	Black Painted	◆N902	,SEE STANDARD COLORS.	GS 500 E (03)	Candy Grand Blue	●B545	C46,E450,E410▲,C470
Beverly 200 (01)	Blue Cobalto	●B539	E450▲		Blue	●B548	C46,E410,C52
	Blue Reale	●B561	E450		Black	◆N901	,SEE STANDARD COLORS.
	Black Painted	◆N902	,SEE STANDARD COLORS.	GS 500 E (04)	Blue	●B548	C46,E410,C52
Beverly 200 (03)	Blue Reale	●B561	E450		Black	◆N901	,SEE STANDARD COLORS.
	Black Painted	◆N902	TUTTE (tranne E280)	GS 500 E (05)	Candy Grand Blue	●B545	C46,E450,E410▲,C470
Liberty 200 4T (04)	Blue Aurora	●B582	E350▲,E30,C370		Black	◆N901	,SEE STANDARD COLORS.
Liberty 200 4T (04-05)	Blue Imperiale	●B575	E350,E450,E30,C370,C470	GS 500 F (04)	Black	◆N901	,SEE STANDARD COLORS.
	Excalibur Grey	●G757	E350,E450,E30,C370,C470	Free Wind 600 (02-03)	Candy Grand Blue	●B545	C46,E450,E410▲,C470
	Cherry Red	●R342	E450,E350,C470	GSF 600 Bandit (02)	Sonic Silver Met.	◆G730	,SEE STANDARD COLORS.
Liberty 200 4T (05)	Grafite Black	●N923	E450,C370,C470		Candy Grand Blue	●B545	C46,E450,E410▲,C470
Beverly 250 (04)	Black Painted	◆N902	,SEE STANDARD COLORS.		Black	◆N901	,SEE STANDARD COLORS.
Beverly 250 (04-05)	Red Karcadé	●R343	E350,E30,C370,C470		Red Met.	◆R301	,SEE STANDARD COLORS.
	Excalibur Grey	●G757	E350,E450,E30,C370,C470	GSF 600 Bandit (03)	Candy Grand Blue	●B545	C46,E450,E410▲,C470
	Blue Imperiale	●B575	E350,E450,E30,C370,C470		Black	◆N901	,SEE STANDARD COLORS.
Beverly 250 (05)	Grafite Black	●N923	E450,C370,C470		Red Met.	◆R301	,SEE STANDARD COLORS.
Super Hexagon 250 (02-03)	Blue Reale	●B561	E450	GSF 600 Bandit (04)	Sonic Silver Met.	◆G730	,SEE STANDARD COLORS.
	Black Painted	◆N902	,SEE STANDARD COLORS.		Candy Grand Blue	●B545	C46,E450,E410▲,C470
X9 250/500 (00)	Blue Cobalto	●B539	E450▲	GSF 600 Bandit S (02-03)	Sonic Silver Met.	◆G730	,SEE STANDARD COLORS.
X9 250/500 (02-03)	Blue Reale	●B561	E450		Candy Grand Blue	●B545	C46,E450,E410▲,C470
Beverly 500 (03-04)	Blue Reale	●B561	E450		Black	◆N901	,SEE STANDARD COLORS.
	Black Painted	◆N902	TUTTE (tranne E280)	GSF 600 Bandit S (04)	Sonic Silver Met.	◆G730	,SEE STANDARD COLORS.
Beverly 500 (03 -> 05)	Cherry Red	●R342	E450,E350,C470	GSX 600 F (02-03)	Candy Grand Blue	●B545	C46,E450,E410▲,C470
Beverly 500 (04-05)	Cachemere Grey	●G758	E350,E450,C370,C470	GSF 650 Bandit (05)	Pearl Nebular Black	◆N902	,SEE STANDARD COLORS.
	Excalibur Grey	●G757	E350,E450,E30,C370,C470				

BRAND / MODEL	COLOR	CODE	AVAILABLE SIDECASE / TOP-CASE	BRAND / MODEL	COLOR	CODE	AVAILABLE SIDECASE / TOP-CASE
GSF 650 Bandit S (05)	Sonic Silver Met.	◆ G730	,SEE STANDARD COLORS.	Majesty 250 (05)	Blue Stone	● B571	E410,E52,C46
	Pearl Nebular Black	◆ N902	,SEE STANDARD COLORS.		Marble Silver	● G724	C46,E460▲
DL 650 V-Strom (04)	Candy Grand Blue	● B545	C46,E450,E410▲,C470		Smokey Grey	● G741	C46
	Mat Silver	◆ A900	C370,C46,E260,E410▲,V46	X-Max 250 (05)	<b>NEW</b> Metallic Sun	● G120	C46
DL 650 V-Strom (05)	Sonic Silver Met.	◆ G730	,SEE STANDARD COLORS.	Varsity 300 (03)	Smokey Grey	● G741	C46
	Candy Grand Blue	● B545	C46,E450,E410▲,C470		Silver Tech	● G744	E410▲,E52,C46
	Pearl Nebular Black	◆ N902	,SEE STANDARD COLORS.	XC 300 (04)	Midnight Black	● N913	C46
SV 650 (02-03)	Sonic Silver Met.	◆ G730	,SEE STANDARD COLORS.	Majesty 400 (04-05)	Galaxi Blue	● B572	C46,E410,C470,E52
	Candy Grand Blue	● B545	C46,E450,E410▲,C470		Silver Tech	● G744	E410▲,E52,C46
SV 650 (03)	Black	◆ N901	,SEE STANDARD COLORS.	Majesty 400 (05)	Hydro Green	● V620	C46
SV 650 (04)	Candy Grand Blue	● B545	C46,E450,E410▲,C470	T-Max 500 (02-03)	Electric Silver	● G737	C46
SV 650 (05)	Candy Grand Blue	● B545	C46,E450,E410▲,C470		Fancy Plum	● B553	E52▲
	Pearl Nebular Black	◆ N902	,SEE STANDARD COLORS.		Performance Red	◆ R301	,SEE STANDARD COLORS.
SV 650 S (03)	Sonic Silver Met.	◆ G730	,SEE STANDARD COLORS.	T-Max 500 (03)	Galaxi Blue	● B572	C46,E410,C470,E52
	Candy Grand Blue	● B545	C46,E450,E410▲,C470	T-Max 500 (04-05)	Midnight Black	● N913	C46
SV 650 S (04)	Candy Grand Blue	● B545	C46,E450,E410▲,C470		Silver Tech	● G744	E410▲,E52,C46
	Black	◆ N901	,SEE STANDARD COLORS.	T-Max 500 (05)	Lava Red	● R344	C46
	Pearl Nebular Black	◆ N902	,SEE STANDARD COLORS.		Yamaha Blue	◆ B550	C46
SV 650 S (05)	Candy Grand Blue	● B545	C46,E450,E410▲,C470				
	Pearl Nebular Black	◆ N902	,SEE STANDARD COLORS.				
GSX 750 (02)	Black	◆ N901	,SEE STANDARD COLORS.	<b>YAMAHA</b>			
GSX 750 F (02-03)	Black	◆ N901	,SEE STANDARD COLORS.	FZS 600 Fazer (02-03)	Yamaha Blue	◆ B550	C46
	Red Met.	◆ R301	,SEE STANDARD COLORS.	FZ6 (04-05)	Silver Strom	● G753	C46
GSX 750 F (04)	Candy Grand Blue	● B545	C46,E450,E410▲,C470	FZ6 Fazer (04)	Blue Stone	● B571	E410,E52,C46
	Deep Blue	● B572	C46,E410,C470,E52		Silver Tech	● G744	E410▲,E52,C46
DL 1000 V-Strom (02)	Blue	● B548	C46,E410,C52	FZ6 Fazer (05)	Silver Strom	● G753	C46
DL 1000 V-Strom (03)	Sonic Silver Met.	◆ G730	,SEE STANDARD COLORS.		Galaxi Blue	● B572	C46,E410,C470,E52
	Blue	● B548	C46,E410,C52	YZF 600 R (02)	Yamaha Blue	◆ B550	C46
DL 1000 V-Strom (04)	Blue	● B548	C46,E410,C52	TDM 900 (02)	Fancy Plum	● B553	E52▲
DL 1000 V-Strom (05)	Deep Blue	● B572	C46,E410,C470,E52		Silver Tech	● G744	E410▲,E52,C46
	Pearl Nebular Black	◆ N902	,SEE STANDARD COLORS.	TDM 900 (03)	Blue Stone	● B571	E410,E52,C46
SV 1000 (03)	Sonic Silver Met.	◆ G730	,SEE STANDARD COLORS.		Silver Tech	● G744	E410▲,E52,C46
	Candy Grand Blue	● B545	C46,E450,E410▲,C470		Galaxi Blue	● B572	C46,E410,C470,E52
SV 1000 (04)	Sonic Silver Met.	◆ G730	,SEE STANDARD COLORS.	TDM 900 (04-05)	Silver Tech	● G744	E410▲,E52,C46
SV 1000 (05)	Pearl Nebular Black	◆ N902	,SEE STANDARD COLORS.	FZS 1000 Fazer (02)	Yamaha Blue	◆ B550	C46
GSF 1200 Bandit (02)	Sonic Silver Met.	◆ G730	,SEE STANDARD COLORS.		Midnight Black	● N913	C46
	Candy Grand Blue	● B545	C46,E450,E410▲,C470		Silver Tech	● G744	E410▲,E52,C46
	Black	◆ N901	,SEE STANDARD COLORS.	FZS 1000 Fazer (03-04)	Galaxi Blue	● B572	C46,E410,C470,E52
GSF 1200 Bandit (03-04)	Sonic Silver Met.	◆ G730	,SEE STANDARD COLORS.		Silver Tech	● G744	E410▲,E52,C46
	Blue	● B548	C46,E410,C52	FZS 1000 Fazer (04-05)	Galaxi Blue	● B572	C46,E410,C470,E52
GSF 1200 Bandit (05)	Sonic Silver Met.	◆ G730	,SEE STANDARD COLORS.		Lava Red	● R344	C46
	Pearl Nebular Black	◆ N902	,SEE STANDARD COLORS.		Mistral Grey	● G755	C46
GSF 1200 Bandit S (02)	Sonic Silver Met.	◆ G730	,SEE STANDARD COLORS.	BT 1100 Bulldog (02)	Yamaha Blue	◆ B550	C46 <sup>8</sup>
	Black	◆ N901	,SEE STANDARD COLORS.	BT 1100 Bulldog (02-03-04)	Midnight Black	● N913	C46
	Blue	● B548	C46,E410,C52	BT 1100 Bulldog (04)	Blue Stone	● B571	E410,E52,C46
GSF 1200 Bandit S (03)	Sonic Silver Met.	◆ G730	,SEE STANDARD COLORS.	BT 1100 Bulldog (05)	Midnight Black	● N913	C46
	Blue	● B548	C46,E410,C52	XVS 1100 A Drag Satr Classic (05)	Midnight Black	● N913	C46
GSF 1200 Bandit S (04)	Sonic Silver Met.	◆ G730	,SEE STANDARD COLORS.	FJR 1300/A (02)	Midnight Black	● N913	C46
GSF 1200 Bandit S (05)	Pearl Nebular Black	◆ N902	,SEE STANDARD COLORS.	FJR 1300/A (04)	Techno Jade	● V618	C46
GSX 1400 (02-03-04)	Candy Grand Blue	● B545	C46,E450,E410▲,C470	FJR 1300/A (03 > 05)	Galaxi Blue	● B572	C46,E410,C470,E52
					Silver Strom	● G753	C46
<b>YAMAHA SCOOTER</b>				XJR 1300 (02)	Silver Strom	● G753	C46
Cignus 125 (02)	Midnight Black	● N913	C46	XJR 1300 (02-03)	Yamaha Blue	◆ B550	C46
Majesty 125/180 (02-03)	Deep Pacific Blue	◆ B508	,SEE STANDARD COLORS.		Midnight Black	● N913	C46
Teo's 125/150 (02-03)	Future Silver	● G739	E450▲	XJR 1300 (04-05)	Midnight Black	● N913	C46
	Deep Pacific Blue	◆ B508	,SEE STANDARD COLORS.		Galaxi Blue	● B572	C46,E410,C470,E52
Majesty 150 (02)	Deep Pacific Blue	◆ B508	,SEE STANDARD COLORS.				
	Future Silver	● G739	E450▲				
	Smokey Grey	● G741	C46				
Majesty 250 (02)	Fancy Plum	● B553	E52▲				
	Laser Blue	◆ B508	,SEE STANDARD COLORS.				
	Marble Silver	● G724	C46,E460▲				
	Performance Red	◆ R301	,SEE STANDARD COLORS.				
Majesty 250 (03)	Blue Stone	● B571	E410,E52,C46				
	Electric Silver	● G737	C46				
	Marble Silver	● G724	C46,E460▲				
	Performance Red	◆ R301	,SEE STANDARD COLORS.				
	Smokey Grey	● G741	C46				
Majesty 250 (04)	Blue Stone	● B571	E410,E52,C46				
	Marble Silver	● G724	C46,E460▲				
	Performance Red	◆ R301	,SEE STANDARD COLORS.				
	Smokey Grey	● G741	C46				

## TOP-CASE OPTIONALS

### TOP CASE RACK

<b>E62A</b>	Monokey Top-case rack to use on MONOKEY® Top-case E36, E45 be mounted on the upper side of the lid (only Anthracite)
<b>E70</b>	Monokey Top-case rack to use on MONOKEY® and MONOLOCK Top-case
<b>E81</b>	Metal rack to use on MONOKEY® case E460, E360, E50 (black)
<b>E96</b>	Metal rack for MONOKEY® Top-case E52 MAXIA (black)
<b>E96G</b>	Metal rack for MONOKEY® Top-case E52 MAXIA grey painted A900
<b>E107</b>	Metal rack for MONOKEY® Top-case V46 (black)



E68

E61



E62

### BACKREST

<b>E61</b>	Backrest to use on MONOKEY® Top-case E36, E45 (black)
<b>E68</b>	Backrest for MONOKEY® Top-case E36, E45 (black)
<b>E71</b>	Backrest for MONOLOCK Top-case E280 BOXY (black)
<b>E75</b>	Backrest for MONOLOCK Top-case E42 SIMPLY (black)
<b>E78</b>	Backrest for MONOLOCK Top-case E29 COMPACT, E33 POINT (black)
<b>E79</b>	Backrest for MONOKEY® case E460 (black)
<b>E83▲</b>	Backrest for MONOKEY® case E50, E360 (black)
<b>E84</b>	Backrest for MONOKEY® case E35 TRAFFIC 2, and MONOLOCK E450 SIMPLY (black)
<b>E95</b>	Backrest for MONOKEY® case E52 MAXIA and V46 (black)
<b>E95S</b>	Specific back rest for Monokey cases V46 and E52 MAXIA covered with black simulated leather with GIVI logo. The inner lining in foam rubber guarantees optimum comfort.
<b>E102</b>	Backrest for MONOLOCK Top-case E260 MICRO2 (black)
<b>E103</b>	Backrest for MONOLOCK Top-case E350 FLOW , E30 TOUR (black)
<b>E109NEW</b>	Backrest for MONOLOCK Top-case E370 (black)
<b>E110NEW</b>	Backrest for MONOLOCK Top-case E470 (black)



E79

E81/E96  
E107

E83



E84



E95



E95S



E109



E110

### KIT STOP LIGHT

<b>E92</b>	Stop light for MONOKEY® case E460
<b>E93</b>	Stop light for MONOLOCK case E33 POINT
<b>E94</b>	Stop light for MONOLOCK case E450 SIMPLY
<b>E97</b>	Stop light for MONOKEY® Top-case E52 MAXIA
<b>E99</b>	Stop light for MONOLOCK Top-case E260 MICRO2
<b>E101</b>	Stop light for MONOLOCK Top-case E350 FLOW
<b>E104</b>	Stop light for MONOLOCK Top-case E30 TOUR
<b>E105</b>	Stop light for MONOKEY® Top-case V46
<b>E106</b>	Inner light for MONOKEY® Top-case V46

**WARNING:** check the road regulations in place in your Country before using the present device of light-stop in the public traffic, as homologation may be required which the product does not currently hold.

GIVI hereby declines any responsibility in relation to any possible damage caused to goods or people in respect of the use of its products in violation of the provisions concerning road regulations.

### ANOTHER OPTIONAL

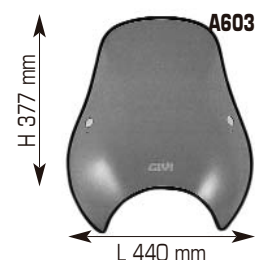
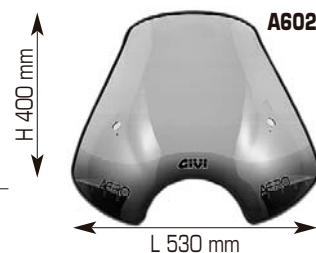
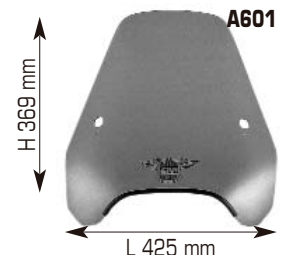
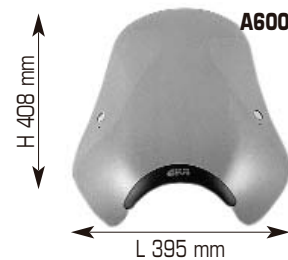
<b>E73</b>	Removable internal soft bag for MONOKEY® cases
<b>E98</b>	Inner lining for MONOKEY® Top-case E52 MAXIA (are sold in 3 pieces and are not available separately)



# UNIVERSAL WINDSCREENS WITH TWO / FOUR HOLES

## WINDSCREENS WITH TWO HOLES

<b>A200</b>	Small universal spoiler complete with fitting kit, suitable for bikes with no fairing (smoked colour) 29,5 x 34 cm (h. x w.)
<b>A200B</b>	Small universal spoiler complete with fitting kit, suitable for bikes with no fairing, with stainless logo (smoked colour) 29,5 x 34 cm (h. x w.)
<b>A200BL</b>	Small universal spoiler complete with fitting kit, suitable for bikes with no fairing, with stainless logo (blue colour) 29,5 x 34 cm (h. x w.)
<b>A210</b>	Universal spoiler complete with fitting kit, suitable for naked bikes (smoked colour) 36,5 x 35 cm (h. x w.)
<b>A200 - A200B - A200BL - A210: CAN NOT BE MOUNTED ON HONDA HORNET 600 ('03-'04-'05)/ 900 ('03-'04)</b>	
<b>A600</b>	AIRSTAR for maxi-bike complete with universal fitting kit (smoked colour) 40,8 x 39,5 cm (h. x w.)
<b>A601</b>	AIRSTAR for custom complete with universal fitting kit (bronze colour) 36,9 x 32,5 cm (h. x w.)
<b>A602</b>	AIRSTAR with AEROTECH logo complete with new universal fitting kit (smoked colour) 40 x 53 cm (h. x w.)
<b>A603</b>	Universal AIRSTAR complete with universal fitting kit (smoked colour) 37,7 x 44 cm (h. x w.)
<b>A604</b>	Universal AIRSTAR complete with universal fitting kit (smoked colour) 37,9 x 44,5 cm (h. x w.)
<b>A605</b>	Universal AIRSTAR complete with universal fitting kit (smoked colour) it differs from the A600 model only for the fitment around the light 40,8 x 39,5 cm (h. x w.)
<b>A605S</b>	Universal AIRSTAR complete with universal fitting kit for tubular handlebars with fitment around the light - silver A900 (smoked colour) 40,8 x 39,5 cm (h. x w.)
<b>Z278</b>	Adaptor kit for wind-screen serie A600 (two holes) to be used for non-tubular handlebar



## WINDSCREENS WITH FOUR HOLES

<b>50A+D37</b>	AIRSTAR for maxi-bike 4 mm. smoked complete with universal bracket fitting kit, 56 x 63 cm (h. x w.)
<b>54A+ D37</b>	AIRSTAR for Custom (high h./bar.) 4 mm. smoked complete with universal bracket fitting kit, 49 x 75 cm (h. x w.)
<b>A34+D45</b>	AIRSTAR for maxi-bike, mm. 4, complete with universal bracket fitting kit, smoked, 49 x 50 cm (h. x w.)
<b>A31+D45</b>	AIRSTAR for maxi-bike with hand protection, mm. 4, complete with universal bracket fitting kit, 50 x 61,5 cm (h. x w.)
<b>A32+D45</b>	AIRSTAR for maxi-bike, mm. 3, complete with universal bracket fitting kit, 46,5 x 52 cm (h. x w.)

THE FIRST CODE REFERS TO THE SCREEN, THE SECOND ONE TO THE FITTING KIT. TO BE ORDERED SEPARATELY

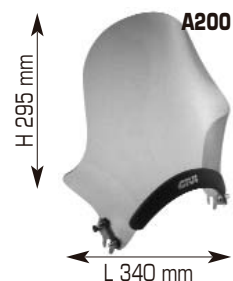
## UNIVERSAL WINDSCREEN BRACKET FITTING KIT

<b>D37</b>	Universal bracket fitting kit for Art. A48 - A50 - A54 - A56
<b>D40</b>	Universal bracket fitting kit for A600, A601, A602, A603, A604, A605, A605S (two holes)
<b>D45</b>	Universal bracket fitting kit for A620, A650, A700 (four holes)

## UNIVERSAL WINDSCREENS FOR CUSTOM MODELS

<b>A35N</b>	Wind-screen, high and shaded bottom version 54,9 x 46,8 cm (h. x w.)
<b>AS100A2</b>	Specific fitting kit - Ø bracket from mm 36 to mm 45
<b>A23</b>	Wind-screen, low and transparent version 38,8 x 41 cm (h. x w.)
<b>AS100A2</b>	Specific fitting kit - Ø bracket from mm 36 to mm 45
<b>A41N</b>	Wind-screen, high and shaded bottom version 53,7 x 51,6 cm (h. x w.)
<b>AS300A2</b>	Specific fitting kit - Ø bracket from mm 36 to mm 45
<b>A42</b>	Wind-screen, low and transparent version 40,3 x 45,7 cm (h. x w.)
<b>AS300A2</b>	Specific fitting kit - Ø bracket from mm 36 to mm 45

THE FIRST CODE REFERS TO THE SCREEN, THE SECOND ONE TO THE FITTING KIT. TO BE ORDERED SEPARATELY



## A750

**A750N** Universal cockpit for naked bikes BLACK VERSION, 41 x 39 cm (h. x w.)

**A750** Universal cockpit for naked bikes PAINTED VERSION, 41 x 39 cm (h. x w.)  
Tested on the following models: Suzuki SV 650/GSF 600 Bandit (upper to 2004)  
GSF 650 Bandit (05)/Honda Hornet 600 (upper to 2002)- Honda X-11  
Ducati Monster ('99-'00)- BMW R 850 R / R 1100 R - SV 1000  
Available in painted colours:

**G730** (silver - standard)

**N902** (black - standard)

**B545** ♦ SUZUKI SV 650 (blue) (00->02)

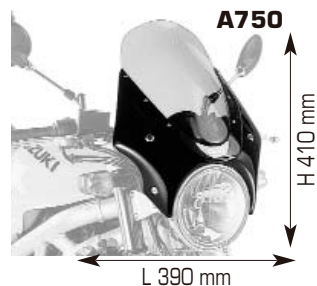
**B529** ♦ HONDA CBF 600 (blue) (04)

**R334** DUCATI MONSTER (red)

**A750V** Replacement screen blade for A750 (plexiglass)

**A750N - A750** : CAN NOT BE MOUNTED ON HONDA HORNET 900 E HONDA HORNET 600 (03-04-05)

♦ADAPTABLE COLOR ♦ORIGINAL COLOR



## A755

**A755N** Universal cockpit for naked bikes, 36 x 45 cm (h. x w.)  
complete with universal fitting kit (two holes), BLACK VERSION

**A755** Universal cockpit for naked bikes complete with universal fitting kit  
(two holes), painted, 36 x 45 cm (h. x w.). Available in painted colours:

**G730** (silver - standard)

**N902** (black - standard)

**B529** ♦ HONDA HORNET 600 (blue) (00->02) / HONDA HORNET 900 (blue) (02-03)

**A755V** Replacement screen blade for A755/A756/A770 (plexiglass)

**A256A** Specific fitting-kit for **HONDA HORNET 900**, in inox

**A755N - A755** : CAN NOT BE MOUNTED ON HONDA HORNET 600 (03-04-05) TO BE MOUNTED ON HONDA HORNET 900 USE A256A

♦ADAPTABLE COLOR ♦ORIGINAL COLOR



## A756

**A756N** Specific cockpit for **HONDA HORNET 600 (03-04)**, 36 x 45 cm (h. x w.)  
complete with universal fitting kit (two holes), BLACK VERSION

**A756** Specific cockpit for **HONDA HORNET 600 (03-04)**, 36 x 45 cm (h. x w.)  
(two holes), painted, 36 x 45 cm (h. x w.). Available in painted colours:

**N902** (black - standard)

♦**B529** ▲ (blue) HONDA HORNET 600 (03-04)

**A900** ▲ (matt silver - standard)

♦**B577** ▲ (blue) HONDA HORNET 600 (04)

**A755V** Replacement screen blade for A755/A756/A770 (plexiglass)

♦ADAPTABLE COLOR ♦ORIGINAL COLOR



## A760

**A760N** Universal cockpit for naked bikes, 42 x 56 cm (h. x w.)  
complete with universal fitting kit (four holes), BLACK VERSION

**A760** Universal cockpit for naked bikes complete with universal fitting kit  
(four holes), painted, 42 x 56 cm (h. x w.). Available in painted colours:

**G730** (silver - standard)

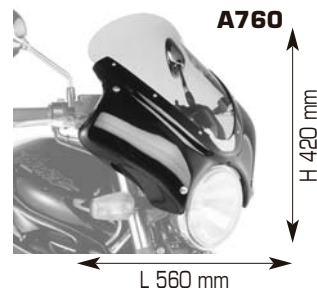
**N902** (black - standard)

♦**B545** ▲ SUZUKI SV 650 (blue) (00-02)

**A760V** Replacement screen blade for A760 (plexiglass)

**A760N - A760** : CAN NOT BE MOUNTED ON HONDA HORNET 900 (03-04) AND HONDA HORNET 600 (03-04-05)

♦ADAPTABLE COLOR ♦ORIGINAL COLOR



## A770

**A770N** Universal cockpit for naked bikes, 38 x 44 cm (h. x w.)  
complete with universal fitting kit (two holes), BLACK VERSION

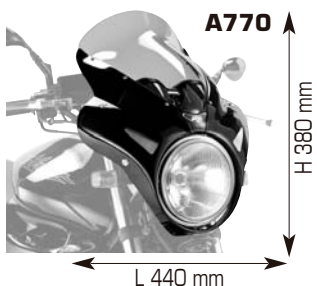
**A770** Universal cockpit for naked bikes complete with universal fitting kit  
(two holes), painted, 38 x 44 cm (h. x w.). Available in painted colours:

**G730** (silver - standard)

**N902** (black - standard)

**A755V** Replacement screen blade for A755/A756/A770 (plexiglass)

**A770N - A770** : CAN NOT BE MOUNTED ON HONDA HORNET 900 (03-04) AND HONDA HORNET 600 (03-04-05)



## A240

- 240A** Universal spoiler for naked bikes without fitting kit (smoked)  
33 x 36,5 cm (h. x w.)
- 240BL** Universal spoiler for naked bikes without fitting kit (blue)  
33 x 36,5 cm (h. x w.)
- 240N902** Universal spoiler for naked bikes without fitting kit (black painted)  
33 x 36,5 cm (h. x w.)

### FITTING-KIT FOR 240A-240BL-240N902:

- A240A** Universal fitting kit for 240A-240BL-240N902
- A257A** Specific fitting kit for **HONDA HORNET 900 (02-03-04)**
- A258A** Specific fitting kit for **HONDA HORNET 600 (03-04)**



## WINGRACK (3 panniers holder)

- E140▲** WINGRACK chassis with indicators for 3 pannier holder without fitting kit, black only (Y... required)
- E141▲** WINGRACK chassis without indicators for 3 pannier holder without fitting kit, black only (Y... required)
- N140** WINGRACK 2 chassis with indicators for 3 pannier holder without fitting kit, black and grey colours (Y... required)
- N141** WINGRACK 2 chassis without indicators for 3 pannier holder without fitting kit, black and grey colours (Y... required)

SEE WINGRACK FITTING KIT APPLICATION CHART PAGE 30-65



## WINGRACK SIDEFAMES FOR 2 BAGS

- N150** Sideframes (pair) WINGRACK 2 complete with indicators, for 2 bags, without fitting kit, black only (Y... required)
- N151** Sideframes (pair) WINGRACK 2 without indicators, for 2 bags, without fitting kit, black only (Y... required)

SEE WINGRACK FITTING KIT APPLICATION CHART PAGE 30-65



## UNIVERSAL FITTING KITS FOR WINGRACK

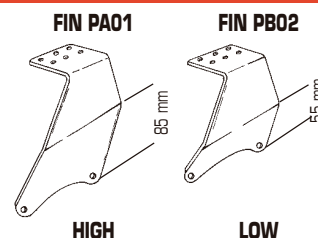
- Y100** Universal connection bridge kit for WINGRACK (Important: we strongly advise fitting to improve stability and security at speed)
- Y127** Universal fitting kit for WINGRACK pannier holder: N140 - N141 E140 - E141
- Y128** Universal fitting kit for WINGRACK pannier holder N150 - N151

SEE WINGRACK FITTING KIT APPLICATION CHART PAGE 30-65

## TOP CASE MOUNTS PLA... / PLB...

- PA01** "HIGH" fins, aluminium plate and specific fitting kit to be used with PLA... (allows the top case to be mounted on the plate)
- PB02** "LOW" fins, aluminium plate and specific fitting kit to be used with PLB... (allows the top case to be mounted on the plate)

SEE PLA.../PLB... APPLICATION CHART PAGE 30-65



## UNIVERSAL SIDEARMS FOR MONORACK

**1000F** Universal sidearms for Monorack luggage carrier without plate and joint set

SEE MONORACK FITTING KIT APPLICATION CHART PAGE 30-65



## UNIVERSAL MONOKEY® ADAPTOR PLATES

To fit on the bike original carrier

**E121** Universal adaptor plate with fitting kit suitable both for tubular carrier and other types

**E250** Universal adaptor plate with fitting kit & cover suitable both for tubular carrier and other types

### KIT BAG FITTING KIT

**E115F-1** Junction kit for MONORACK 1

**E115F-2** Junction kit luggage for MONORACK 2

SEE PLATE APPLICATION CHART PAGE 30-65



## BRIEFCASE CARRIER

**S400▲** Universal briefcase carrier complete with universal fitting kit for tubular luggage carriers (rain-resistant cover included)

**E270▲** Specific kit for S400, allows fitting onto MONORACK and WINGRACK luggage carriers

**E271▲** Specific fitting kit for S400, allows fitting of the briefcase carrier onto GIVI topcases



## BIKE COVER

**S200** Bike cover - Colour: light grey (not waterproof)

## SEAT COVER ECLIPSE

**S750** Expandable seat cover, guarantees sun and rain protection. suitable for: E36-E45-E350-E460-E450-E52

## “SUN PROTECTION COVER”

**S800** Universal sun protection cover for screen (for scooter).

## VARIOUS ACCESSORIES

**T10** 12 pieces elastic carrying net (black)

**T10N** Elastic carrying net (black) (one piece)

**T15▲** Hooks for fastening of the carrying net (one piece)

**T25** Anti-slip web/paint protection for side soft luggage (not be used with magnetic bags)



T10N

## SOFT LUGGAGE - TANK BAG

23

### > T400NG

**T400NG** Magnetic tank bag. Colours grey/black  
Capacity: 28 Ltr.  
Dimensions (w x d x h): 26 x 36 x 30 cm



### > T401NG

**T401NG** Tank bag without magnets and with elastic belts to be fitted on plastic tanks, grey/black colour.  
Capacity: 30 Ltr.  
Dimensions (w x d x h): 25 x 37 x 33 cm



### > T409

**T409** Small magnetic tank bag in polyester with safety belt, black  
Capacity: 3 Ltr. Dimensions (w x d x h): 18 x 23 x 7 cm



### > T410

**T410** Magnetic tank bag (it can be transformed into rucksack), black  
Capacity: 22 -> 33 Ltr.  
Dimensions (w x d x h): 28 x 37 x 25->35 cm



### > T413

**T413** Magnetick tank bag specific for enduro bikes, black (it can be transformed into rucksack)  
Capacity: 20 -> 24 Ltr.  
Dimensions (w x d x h): 23 x 32 x 27->33 cm



### > T419

**T419** Magnetick tank bag in polyester, black (it can be transformed into rucksack)  
Capacity: 20 -> 30 Ltr.  
Dimensions (w x d x h) : 28 x 36 x 20->30 cm



## SOFT LUGGAGE - TANK BAG

## &gt; T422

**T422** Rigid magnetic tank bag/rucksack, black  
Capacity: 9 Ltr. Dimensions (w x d x h): 24 x 32 x 12 cm



## &gt; T426

**T426** Magnetic tank bag with removable mobile phone pocket and internal small removable rucksack, black  
Capacity: 14 -> 26 Ltr.  
Dimensions (w x d x h) : 25 x 35 x 19->33 cm



## &gt; T429

**T429** Magnetic tank bag for sporting bike (it can be transformed into rucksack), black  
Capacity: 15 Ltr.  
Dimensions (w x d x h) : 24 x 35 x 19 cm



## &gt; T430

**T430** Magnetic tank bag for sporting bike, simulated leather and polyester (it can be transformed into rucksack), black  
Capacity: 18 Ltr. - Dimensions (w x d x h) : 26 x 36 x 21 cm



## &gt; T430S

**T430S** Black tank-bag with suction cups for sports bikes having plastic tanks. It can be turned into rucksack.  
Capacity: 18 Ltr. - Dimensions (w x d x h) : 26 x 36 x 21 cm



## &gt; T432

**T432** Tank bag without magnets for Ducati Monster 620-800-1000 simulated leather and polyester, black  
Capacity: 23 Ltr. - Dimensions (w x d x h) : 34 x 45 x 19 cm



**> T434**

**T434** Magnetic tank bag for sports bikes, simulated leather and polyester (it can be transformed into rucksack), black  
Capacity: 25->31 Ltr. - Dimensions (w x d x h): 30 x 36 x 23->29 cm

**> T434S**

**T434S** Black tank-bag with suction cups for sports bikes having plastic tanks. It can be turned into rucksack.  
Capacity: 20->23 Ltr. - Dimensions (w x d x h): 39 x 29 x 25->33 cm

**> T435**

**T435** Universal soft bag for scooter to be used on the central tunnel  
Capacity: 20 Ltr. - Dimensions (w x d x h): 31 x 30 x 33 cm

**> T436**

**T436** Universal magnetic tank bag in polyester (extensible), black (it can be transformed into rucksack)  
Capacity: 17->30 Ltr. - Dimensions (w x d x h): 29 x 40 x 17->26 cm

**SOFT LUGGAGE - SIDE BAGS****> T405**

**T405** Expandable saddle bag in polyester with PVC backing (extensible), black  
Capacity: 15 -> 18 Ltr. cad.- Dimensions (w x d x h): 15->18 x 38 x 27 cm

**> T411**

**T411** Pair of side saddlebags in polyester (expandable), black  
Capacity: 21 -> 30 Ltr. cad.- Dimensions (w x d x h): 17-> 24 x 45 x 28 cm



## SOFT LUGGAGE - SIDE BAGS

### > T421

**T421** Pair of saddle bag in polyester (expandable), black  
Capacity: 26 -> 37 Ltr. cad. Dimensions (w x d x h): 20->28 x 44 x 30 cm



### > T427

**T427** Pair of soft bags in polyester for scooters (semirigid), black  
Capacity: 2 Ltr. Dimensions (w x d x h): 15 x 44 x 31 cm



### > T431

**T431** Pair of soft bags for sporting bike, simulated leather and polyester (extensible), black  
Capacity: 19 -> 25 Ltr. - Dimensions (w x d x h): 46 x 22->28x 28 cm



### > GP95

**GP95** Pair of simulated leather bags with bosses, black  
Dimensions (w x d x h): 44 x 13 x 26 cm



## SOFT LUGGAGE - SADDLE BAGS & RUCKSACKS

### > T417

**T417** Cubic tail bag in polyester, black  
Capacity: 22 Ltr. - Dimensions (w x d x h): 30 x 30 x 25 cm



### > T418

**T418** Cylinder tail bag in polyester, black  
Capacity: 33 Ltr. - Dimensions (w x d x h): 47 x 30 x 30 cm





**> T425**

**T425▲** Custom rucksack for custom backrest, black  
Capacity: 44 Ltr. - Dimensions (w x d x h) : 25 x 30 x 50 cm

**> T433**

**T433** Helmet bag for every kind of helmet including full-face helmets  
per ancorarla alla sella - Dimensions (w x d x h) : 38 x 30 x 32 cm

**> E73**

**E73** Removable internal soft bag for MONOKEY® cases

**> T407**

**T407▲** Waist bag in polyester with PVC backing, black  
Capacity: 2 Ltr. - Dimensions (w x d x h): 23 x 5 x 15 cm

**> T412**

**T412\_ \_** Rucksack in polyester with zip  
Colours: **AN** black - **▲GN** yellow/black - **▲RN** red/black  
Capacity: 23 Ltr. - Dimensions (w x d x h): 39 x 15 x 45 cm

**> T424**

**T424▲** Body rucksack with mobile phone pouch, black  
Capacity: 15 Ltr. - Dimensions (w x d x h) : 38x 13x 43 cm



# MOUNTING OPTIONS

## 1 TOP-CASE

GIVI offers several ways to fit a top case: universal plates to be used on motorcycles having an original luggage carrier (E250, E121); specific plates (e.i. E210) specific monorack arms (e.i. 252F) or specific luggage carrier (e.i. SR 17)

**Monokey top cases** + ...F + ...FL + M2/M3 M35 =

**Monolock top cases** + ...F + MM =

**Monokey top cases** + FZ + M11 =

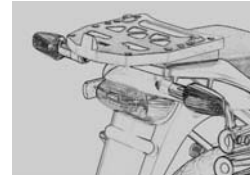
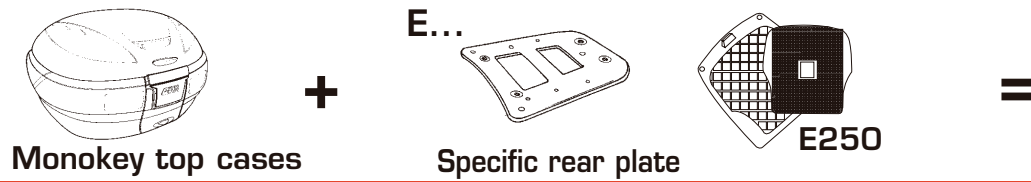
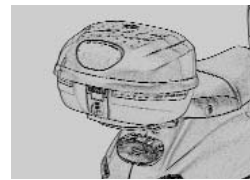
**Monokey top cases** + FZ + M5 =

**Monolock top cases** + FZ + M5M =

**Monolock top cases** + SR... + Monolock plate included in the boxes =

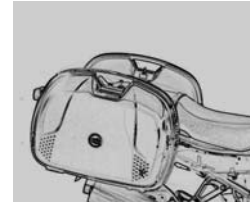
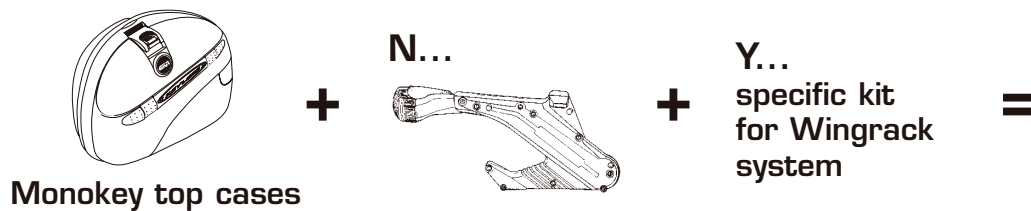
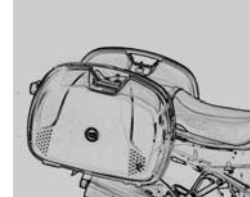
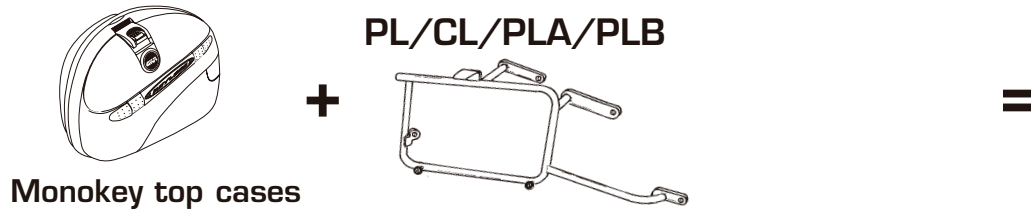
**Monolock top cases** + SR...M + MM =

**Monokey top cases** + SR... + E250/E121 =



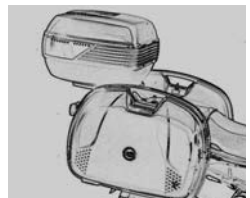
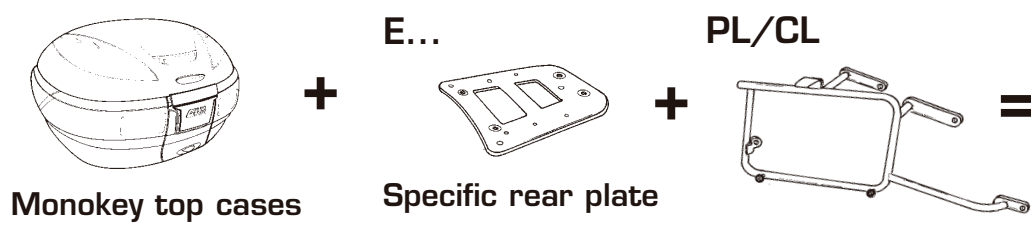
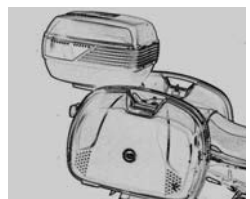
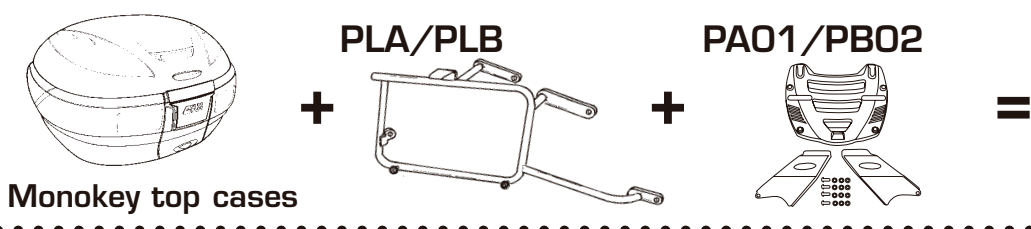
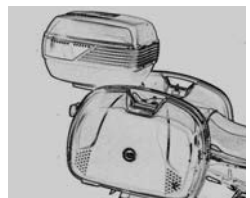
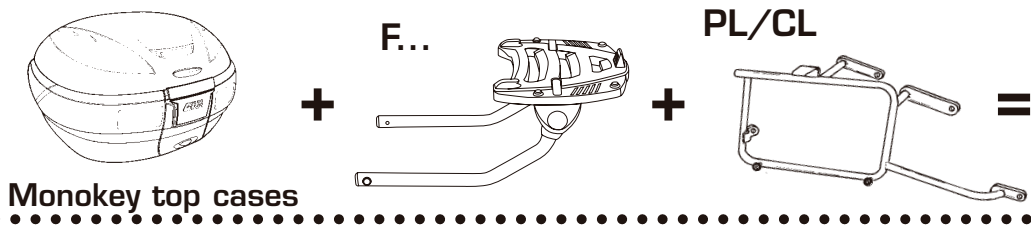
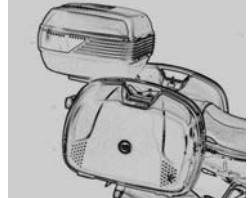
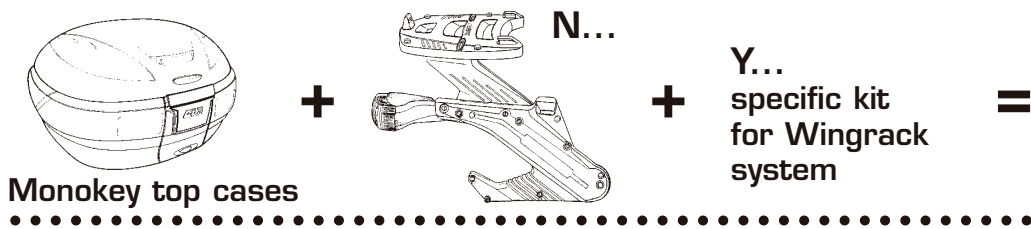
**2 SIDE CASES**

To fit two side-case GIVI offers the possibility to use tubular side-case holders for touring motorcycles or custom models or Wingrack system (N150, N151).



**3 CASES**

To fit 3 cases GIVI offers the possibility to use the Wingrack system (E140, E141, N140, N141); to complete the tubular side-case holders (PL) with the Monorack system (F...) or the specific plate (E...); moreover, you can use the PLA/PLB system together with the PA01 or PB02 fins.



ATTENTION: THE FITTING POSSIBILITIES LISTED HEREWITH ARE NOT BINDING AND CAN BE DISPROVED AT ANY TIME.

# APPLICATION CHART

## IMPORTANT:

All MONORACK luggage carriers side arms are sold separately from plates and join set, so to obtain a complete carrier you will have to order two different articles (see list below).

The different prices for the side arms are due to the different complexity of the carriers which vary according to motorcycle models.

## PLATES FOR MONORACK 2-3-M35-M5-MM (TO BE COMBINED WITH SIDEARM). PLATES COMPLETE WITH FITTING KIT

<b>M2</b>	Joint set and plate <b>MONORACK 2</b> in aluminium complete with kit E 115-F2, for Monokey top cases	(..F)
<b>M3</b>	Joint set and plate <b>MONORACK 3</b> in nylon with fitting kit included, for Monokey top cases	(..F)
<b>M35</b>	Joint set and plate <b>MONORACK 35</b> in aluminium, with fixing kit for 35mm side arms, for Monokey top cases	(..FL)
<b>MM</b>	Joint set and plate <b>MONORACK M</b> in aluminium with Monolock case fitting, for Monolock top cases	(..F)
<b>M5</b>	<b>MONORACK 5M top plate</b> in nylon with fitting kit included. For use with Monokey top cases	(..FZ)
<b>M5M</b>	<b>MONORACK M5M top plate</b> in nylon with fitting kit included. For use with Monolock top cases	(..FZ)
<b>M11*</b>	<b>MONORACK top plate</b> in steel with fitting kit included. For use with Monokey top cases	(..FZ)

\*It does not allow the mounting of the stop light kit


CODE	DESCRIPTION (NOTES)
------	---------------------

## HONDA

### Bali 50

<b>94A</b>	Wind-screen, transparent 53,7 x 57,2 cm (h. x w.)
<b>A94A</b>	Specific fitting-kit for 94A

### Zoomer 50 (Ruckus 50) '04

<b>SR28</b>	 Specific luggage carrier (top case)
<b>105A</b>	Wind-screen, with handprotector 66 x 67 cm (h. x w.)
<b>128A</b>	Wind-screen with handprotector, transparent 74 x 67 cm (h. x w.)
<b>A303A</b>	Specific fitting-kit for 105A and 128A

### Bali 100

<b>94A</b>	Wind-screen, transparent 53,7 x 57,2 cm (h. x w.)
<b>A94A</b>	Specific fitting-kit for 94A

### Lead 100 (03-04)

<b>259A</b>	Wind-screen, transparent 53,7 x 57,2 cm (h. x w.)
<b>A259A</b>	Specific fitting-kit for 259A


### CBR 125 (05)

<b>262FZ</b>	Specific Monorack arms	we recommend to use monolock cases only (to be installed with an M5M plate)
--------------	------------------------	---

### @ 125-150 (00 -> 03)

<b>SR17</b>	 Specific luggage carrier (top case)
<b>183A</b>	Wind-screen, transparent 67,9 x 66,5 cm (h. x w.)
<b>A183A</b>	Specific fitting-kit for 183A

### @ 125-150 (04)

<b>SR17</b>	 Specific luggage carrier (top case)
<b>183A</b>	Wind-screen, transparent 67,9 x 66,5 cm (h. x w.)
<b>A301A</b>	Specific fitting-kit for 183A


### CG 125 Titan (02 -> 04)


<b>25F</b>	 Specific luggage carrier (top case)
------------	---

### Innova 125-150 (04)

<b>SR27</b>	 Specific luggage carrier (top case)
-------------	---

Specific colour versions: the list of specific colours is at page 11  
▲= Item available until it runs out of stock

 In order to fit the Monolock boxes use the plate included

 In order to fit the Monolock boxes use the plate included; to fit the Monokey cases use the E250 plate (which is sold separately)

CODE	DESCRIPTION (NOTES)
------	---------------------

### Dylan 125-150 (02 -> 04)

SR22	Specific luggage carrier, silver	to be mounted instead of the original case holder
102A	Wind-screen with handprotector, transparent 66 x 68 cm (h. x w.)	
128A	Wind-screen with handprotector, transparent 74 x 67 cm (h. x w.)	
A185A	Specific fitting-kit for 102A and 128A	

### Pantheon 125-150 (98 -> 02)

SR14	Specific luggage carrier (top case)	complete with M3 nylon plate
SR140	Specific luggage carrier (top case)	
TB600	Specific backrest	
D199ST	*• Specific wind-screen, transparent 49,9 x 72,5 cm (h. x w.)	
D199S	*• Specific wind-screen, smoked 49,9 x 72,5 cm (h. x w.)	
D202ST	*• Specific wind-screen, transparent 60 x 74,4 cm (h. x w.)	10 cm. higher than D199ST and D199S

\*Attention: for better fastening it is advisable to mount items D199S, D199ST and D202ST onto Pantheon 1215-150 with D199KIT

•These items are sold in 2 pieces and are not available separately

### Pantheon 125-150 (03 -> 04)

E216	① Fitting kit for Monolock top cases	
D219ST	• Specific wind-screen, transparent 63 x 72,5 cm (h. x w.)	with hand protector
TB23	Specific backrest	can not be mounted with E216

•These items are sold in 2 pieces and are not available separately

### 125 Shadow

TS804	Backrest with detachable small luggage carrier	
PL201	Tubular side-case holder, black	can be mounted only E21 cases

### XL 125V Varadero (01 -> 05)

E213	Specific rear plate	
E217	① Specific rear plate for Monolock	max loading of the carrier Kg 5
D215S	Specific wind-screen, smoked 49,9 x 33,2 cm (h. x w.)	
PL173	Tubular side-case holder, black	original indicators have not to be repositioned

### SH 125-150 (01->04)

E218	① Fitting kit for Monolock top cases	
TB21	▲ Specific backrest	
186A	Wind-screen, transparent 58 x 67,8 cm (h. x w.)	
A186A	Specific fitting-kit for 186A	

### SH 125-150 i (05)

E219	① Fitting kit for Monolock top cases	
304A	Wind-screen, transparent 63 x 70 cm (h. x w.) + fitting-kit	
A304A	Specific fitting-kit for 304A	

### CN 250 (89 -> 00)

SR13	Specific luggage carrier (top case)	complete with M2 aluminium plate
D182S	Specific wind-screen, smoked 60,2 x 66,5 cm (h. x w.)	

### CB 250 (94)

243F	Specific Monorack arms	
------	------------------------	--

CODE	DESCRIPTION (NOTES)
------	---------------------

### CBF 250 (04)

261FZ	Specific Monorack arms	max loading of the carrier Kg 6/we recommend to use monolock cases only (to be installed with an M5M plate)
-------	------------------------	---

### Foresight 250 (97 -> 04)

SR14	Specific luggage carrier (top case)	complete with M3 nylon plate
------	-------------------------------------	------------------------------

SR140	Specific luggage carrier (top case)	
-------	-------------------------------------	--

TB600	Specific backrest	
-------	-------------------	--

D199ST	•* Specific wind-screen, transparent 49,9 x 72,5 cm (h. x w.)	
--------	---	--

D199S	•* Specific wind-screen, smoked 49,9 x 72,5 cm (h. x w.)	
-------	--	--

D202ST	•* Specific wind-screen, transparent 60 x 74,4 cm (h. x w.)	10 cm. higher than D199ST and D199S
--------	---	-------------------------------------

\*Attention: for better fastening it is advisable to mount items D199S, D199ST and D202ST onto Foresight 250 with D199 KIT

•These items are sold in 2 pieces and are not available separately

### Forza 250 (05) NEW

E220	Specific luggage carrier (top case)	you need to remove the original backrest of the scooter to install it/complete with M5 nylon plate
------	-------------------------------------	--

E220M	Specific luggage carrier (top case)	you need to remove the original backrest of the scooter to install it/complete with M5M nylon plate
-------	-------------------------------------	---

306A	Wind-screen with handprotector, transparent 81 x 65 cm (h. x w.)	
------	--	--

A306A	Specific fitting-kit for 306A	
-------	-------------------------------	--

### Jazz 250 (01 -> 04)

SR18	Specific luggage carrier (top case)	complete with M5 nylon plate
------	-------------------------------------	------------------------------

SR18M	Specific luggage carrier (top case)	complete with MM aluminium plate
-------	-------------------------------------	----------------------------------

TB18	Specific backrest	
------	-------------------	--

D210S	Specific wind-screen, smoked 64,7 x 36,4 cm (h. x w.)	
-------	---	--

D210ST	Specific wind-screen, transparent 64,7 x 36,4 cm (h. x w.)	
--------	--	--

D211ST	Specific wind-screen, transparent 73,1 x 48,6 cm (h. x w.)	higher and larger than D210ST and D210S
--------	--	---

### CB 500 (94)

241F	Specific Monorack arms	
------	------------------------	--

### CB 500 (97 -> 04)/CB 500S (00 -> 04)

250F	Specific Monorack arms	
------	------------------------	--

D206S	Specific screen, smoked 38,6 x 30,3 cm (h. x w.)	for faired models
-------	--	-------------------

### CBF 500 (04 - 05)

260FZ	Specific Monorack arms	only with M5/M11/M5M plate
-------	------------------------	----------------------------

PL174	Tubular side-case holder	can not be mounted with original holder/it can be mounted with or without the 260FZ Monorack
-------	--------------------------	--

TN450	Specific engine guard, black	
-------	------------------------------	--

A302A	Specific fitting-kit for A750N-A750__, stainless steel	
-------	--	--

A750N	Specific cockpit for <b>HONDA CBF 500 (04)</b> , 41 x 39 cm (h. x w.), black version	
-------	--	--

A750__	Specific cockpit for <b>HONDA CBF 500 (04)</b> , 41 x 39 cm (h. x w.), painted	
--------	--	--

### Silver Wing 600 (01->04)

SR19	Specific luggage carrier (top case)	complete with M5 nylon plate
------	-------------------------------------	------------------------------

TB19	Specific backrest	
------	-------------------	--

214DT	Wind-screen, transparent 63 x 60 cm (h. x w.)	it is necessary to use the specific fitting kit D214KIT /10 cm. higher than the original
-------	---	--

D214KIT	Specific fitting-kit for 214DT	
---------	--------------------------------	--

### XL 600 RM/LM

E200	Specific rear plate	
------	---------------------	--

Specific colour versions: the list of specific colours is at page 11  
▲= Item available until it runs out of stock

ⓘ In order to fit the Monolock boxes use the plate included

📦 In order to fit the Monolock boxes use the plate included; to fit the Monokey cases use the E250 plate (which is sold separately)

CODE	DESCRIPTION (NOTES)
------	---------------------

**CB 600 F Hornet / S (98 -> 02)**

162FZ	Specific Monorack arms, bronze	only with M5/M11/M5M plate
D208S	Specific screen, smoked 37,1 x 38,1 cm (h. x w.)	only for faired models / higher than the original but without spoiler
TN364	Specific engine guard, bronze	we recommend that the mounting is carried out by a qualified motorcycle mechanic
TZ364	▲ Side deflectors	
T214	Tubular holder for soft luggage, bronze	can be mounted with the Monorack

**CB 600 F Hornet (03 -> 05)**

258FZ	Specific Monorack arms, bronze	only with M5/M11/M5M plate
PL172	Tubular side-case holder, bronze	can be mounted only with the Monorack 258FZ
TN368	Specific engine guard, bronze	we recommend that the mounting is carried out by a qualified motorcycle mechanic
T214	Tubular holder for soft luggage, bronze	can be mounted with the Monorack
A258A	Specific fitting-kit for 240A-240BL-240N902, in inox	only for years '03 '04
A756N	Specific cockpit for <b>HONDA HORNET 600 (03)</b> , 36 x 45 cm (h. x w.), black version	
A756__	Specific cockpit for <b>HONDA HORNET 600 (03)</b> , 36 x 45 cm (h. x w.), painted	
A305	Specific cockpit smoked 31,2 x 40,8 cm (h. x w.)	complete with fitting-kit/it can be installed without taking off the original light fairing/only for years '05

**VT 600 C Shadow (89 -> 01)**

A35N	Wind-screen, 54,9 x 46,8 cm (h. x w.)	high and shaded bottom version
A23	Wind-screen, 38,8 x 41 cm (h. x w.)	low and transparent version
AS68A2	Specific fitting-kit for A35N ed A23	
TS800	Backrest with detachable small luggage carrier	
T200	Tubular holder for soft luggage, chromed	

**XL 600 V Transalp (88)**

E200	Specific rear plate	
Y131	Specific kit for Wingrack system	only for N150 Wingrack side holder
D52S	▲ Specific screen, smoked 36,6 x 50,5 cm (h. x w.)	

**XL 600 V Transalp (89 -> 93)**

E200	Specific rear plate	
Y131	Specific kit for Wingrack system	only for N150 Wingrack side holder
D180S	Specific screen, smoked 43,7 x 43,9 cm (h. x w.)	
TN363	Specific engine guard, black	we recommend that the mounting is carried out by a qualified motorcycle mechanic

**XL 600 V Transalp (94 -> 96)**

E200	Specific rear plate	
PL131	Tubular side-case holder, black	
Y131	Specific kit for Wingrack system	only for N150 Wingrack side holder
D191S	Specific screen, smoked 44,1 x 38,4 cm (h. x w.)	
D205S	Specific screen, smoked 54,2 x 38,9 cm (h. x w.)	the D205S is 10 cm higher than the D191S
TN363	Specific engine guard, black	we recommend that the mounting is carried out by a qualified motorcycle mechanic

**XL 600 V Transalp (97 -> 99)**

E211	Specific rear plate	
PL131	Tubular side-case holder, black	
Y160	▲ Specific kit for Wingrack system	only for N151 Wingrack side holder
D191S	Specific screen, smoked 44,1 x 38,4 cm (h. x w.)	
D205S	Specific screen, smoked 54,2 x 38,9 cm (h. x w.)	the D205S is 10 cm higher than the D191S
TN363	Specific engine guard, black	we recommend that the mounting is carried out by a qualified motorcycle mechanic

CODE	DESCRIPTION (NOTES)
------	---------------------

**CBF 600 (04-05)**

<b>260FZ</b>	Specific Monorack arms	only with M5/M11/M5M plate
<b>PL174</b>	Tubular side-case holder	can not be mounted with original holder/it can be mounted with or without the 260FZ Monorack
<b>D303ST</b>	Specific wind-screen, transparent 54 x 39,5 cm (h. x w.)	12,5 cm higher than the original
<b>TN369</b>	Specific engine guard, black	we recommend that the mounting is carried out by a qualified motorcycle mechanic

**CBF 600 N (05) NEW**

<b>260FZ</b>	Specific Monorack arms	only with M5/M11/M5M plate
<b>PL174</b>	Tubular side-case holder	can not be mounted with original holder/it can be mounted with or without the 260FZ Monorack
<b>TN369</b>	Specific engine guard, black	we recommend that the mounting is carried out by a qualified motorcycle mechanic
<b>A302A</b>	Specific fitting-kit for A750N-A750___, stainless steel	
<b>A750N</b>	Specific cockpit for <b>HONDA CBF 600 N (04)</b> , 41 x 39 cm (h. x w.), black version	
<b>A750___</b>	Specific cockpit for <b>HONDA CBF 600 N (04)</b> , 41 x 39 cm (h. x w.), painted	

**CBR 600 F (87 -> 90)**

<b>215F</b>	Specific Monorack arms
-------------	------------------------

**CBR 600 F (91 -> 94)**

<b>D186S</b>	Specific screen, smoked 38,3 x 40,7 cm (h. x w.)
--------------	--

**CBR 600 F (95 -> 98)**

<b>249F</b>	Specific Monorack arms	only for years '97 - '98
<b>DH193</b> ▲	Specific screen, smoked 41,9 x 35,6 cm (h. x w.)	

**CBR 600 F (99 -> 05)**

<b>252F</b>	Specific Monorack arms	can not be mounted with the T208
<b>PL169</b>	Tubular side-case holder, black	only for years 01->03/can be mounted only with the Monorack 252F
<b>D204S</b> ▲	Specific screen, smoked 38,9 x 41,1 cm (h. x w.)	only for years '99-'00
<b>D213S</b>	Specific screen, smoked 45,5 x 37 cm (h. x w.)	only for years '01->'03

**CBR 600 FS (01->02)**

<b>D213S</b>	Specific screen, smoked 45,5 x 37 cm (h. x w.)
--------------	--

**CBR 600 RR (03-04)**

<b>D301DB</b> ▲	Specific screen double bubble, smoked 32,3 x 33,5 cm (h. x w.)	
<b>T215</b> ▲	Tubular holder for soft luggage, black	can be mounted with the T215

**CBR 600 RR (05)**

<b>D305DB</b>	Specific screen double bubble, smoked 31 x 29 cm (h. x w.)
---------------	--

**Africa Twin 650**

<b>D57S</b>	Specific screen, smoked 36,1 x 40,7 cm (h. x w.)
-------------	--

**NT 650 Deauville (98 -> 05)**

<b>SR15</b>	Specific luggage carrier (top case)	complete with M2 aluminium plate
<b>SR15M</b>	Specific luggage carrier (top case)	complete with MM aluminium plate
<b>D201S</b>	Specific screen, smoked 45 x 40,3 cm (h. x w.)	

**Dominator 650**

<b>E200</b>	Specific rear plate	
<b>D59S</b>	Specific screen, smoked 35,4 x 32,5 cm (h. x w.)	only with spoiler

Specific colour versions: the list of specific colours is at page 11  
▲= Item available until it runs out of stock

ⓘ In order to fit the Monolock boxes use the plate included

📄 In order to fit the Monolock boxes use the plate included; to fit the Monokey cases use the E250 plate (which is sold separately)



CODE	DESCRIPTION (NOTES)
------	---------------------

**Dominator 650 (92 -> 94)**

E200	Specific rear plate
185D	Specific screen, smoked 30,4 x 31,7 cm (h. x w.) <span style="float: right;">only with spoiler</span>
D185KIT	Specific fitting-kit for 185D

**Dominator 650 (95)**

185D	Specific screen, smoked 30,4 x 31,7 cm (h. x w.) <span style="float: right;">only with spoiler</span>
D185KIT	Specific fitting-kit for 185D

**Dominator 650 (96 -> 01)**

194D	Specific screen, smoked 41,3 x 30,3 cm (h. x w.) <span style="float: right;">only with spoiler</span>
D185KIT	Specific fitting-kit for 194D

**NTV 650 (93 -> 99)**

238F	Specific Monorack arms
------	------------------------

**XL 650V Transalp (00 -> 05)**

E213	Specific rear plate
PL167	Tubular side-case holder, black
Y163	Specific kit for Wingrack system <span style="float: right;">only for N151 Wingrack side holder</span>
D209S	Specific screen, smoked 50 x 36,5 cm (h. x w.)
TN366	Specific engine guard, black <span style="float: right;">we recommend that the mounting is carried out by a qualified motorcycle mechanic</span>
T213	Saddlebags tubular holder, black <span style="float: right;">can be mounted with the plate</span>

**Africa Twin 750 (90 -> 92)**

E200	Specific rear plate
D181S	Specific screen, smoked 48,7 x 33,1 cm (h. x w.) <span style="float: right;">only with spoiler</span>

**Africa Twin 750 (93 -> 95)**

E210	Specific rear plate
Y148	Specific kit for Wingrack system <span style="float: right;">only for N140 Wingrack side holder</span>
D188S	Specific screen, smoked 48,6 x 33 cm (h. x w.)
TN362	Specific engine guard, black <span style="float: right;">only for year 95/we recommend that the mounting is carried out by a qualified motorcycle mechanic</span>

**Africa Twin 750 (96 -> 02)**

E210	Specific rear plate
PL148	Tubular side-case holder, black
Y148	Specific kit for Wingrack system <span style="float: right;">only for N140 Wingrack side holder</span>
D195S	Specific screen, smoked 44 x 35 cm (h. x w.)
TN362	Specific engine guard, black <span style="float: right;">we recommend that the mounting is carried out by a qualified motorcycle mechanic</span>

**Black Widow 750 (00 -> 02)**

A23	Wind-screen, 38,8 x 41 cm (h. x w.) <span style="float: right;">low and transparent version</span>
A35N	Wind-screen, 54,9 x 46,8 cm (h. x w.) <span style="float: right;">high and shaded bottom version</span>
AS100A2	Specific fitting-kit for A23 and A35N
A42	Universal wind-screen, 40,3 x 45,7 cm (h. x w.) <span style="float: right;">low and transparent version</span>
A41N	Universal wind-screen, 53,7 x 51,6 cm (h. x w.) <span style="float: right;">high and shaded bottom version</span>
AS300A2	Specific fitting-kit for A42 and A41N

CODE	DESCRIPTION (NOTES)
------	---------------------

### Shadow 750 (04 - 05)

A23	Wind-screen, 38,8 x 41 cm (h. x w.)	low and transparent version
A41N	Universal wind-screen, 53,7 x 51,6 cm (h. x w.)	high and shaded bottom version
AS121A2	Specific fitting-kit for A23 and A41N	
TS806	Backrest with detachable small luggage carrier, chromed	
T216	Tubular holder for soft luggage, chromed	

### CB 750 Seven Fifty (92 -> 00)

232F	Specific Monorack arms
Y146	Specific kit for Wingrack system

### VT 750 C (97 -> 02)

A35N	Wind-screen, 54,9 x 46,8 cm (h. x w.)	only for models from '97 to '99 / high and shaded bottom version
A23	Wind-screen, 38,8 x 41 cm (h. x w.)	only for models from '97 to '99 / low and transparent version
A40N	Wind-screen, 54 x 47,1 cm (h. x w.)	only for models from '99 to '02 / high and shaded bottom version
AS115A2	Specific fitting-kit for A35N, A23 and A40N	
TS803	Backrest with detachable small luggage carrier	
T204	Tubular holder for soft luggage, chromed	

### VFR 750 F (88-89)

221F	▲ Specific Monorack arms
------	--------------------------

### VFR 750 F (90 -> 93)

229F	Specific Monorack arms	
Y143	Specific kit for Wingrack system	only with E141-E151 / it has to be mounted with the original indicators
D183S	Specific screen, smoked 51,7 x 42,2 cm (h. x w.)	only for years '90-'91 / only with spoiler

### VFR 750 F (94 -> 97)

242F	Specific Monorack arms	
Y154	Specific kit for Wingrack system	only with N141
D190S	Specific screen, smoked 43 x 39,9 cm (h. x w.)	

### Pacific Coast 800

SR10	Specific luggage carrier (top case)	complete with M2 aluminium plate
------	-------------------------------------	----------------------------------

### VFR 800 (98 -> 01)

257FZ	Specific Monorack arms	original grabrails should be removed / only with M5, M11, M5M nylon plate
PL257	Tubular side-case holder, black	can be mounted only with the Monorack 257FZ
Y161	Specific kit for Wingrack system	it has to be mounted with the original indicators
D200S	Specific screen, smoked 46 x 42 cm (h. x w.)	

### VFR 800 VTEC (02 -> 05)

166FZ*	Specific Monorack arms	it can not be mounted with the original side-case holder /only with M5, M11, M5M nylon plate
--------	------------------------	--

\*To those customers who have already purchased the Monorack, we recommend that they get in touch with their dealer / importer who will supply them the kit free of charge upon request (kit cost)

PL166	Tubular side-case holder, black	can be mounted only with the Monorack
Y166	Specific kit for Wingrack system	only for N140 Wingrack side holder/for use with original handlebars
D217S	Specific screen, smoked 52 x 43 cm (h. x w.)	

### CB 900 Hornet (02 -> 04)

256FZ	Specific Monorack arms, bronze	only with M5/M11/M5M plate
PL256	Tubular side-case holder, bronze	can be mounted only with the Monorack

Specific colour versions: the list of specific colours is at page 11  
▲ = Item available until it runs out of stock

ⓘ In order to fit the Monolock boxes use the plate included

📦 In order to fit the Monolock boxes use the plate included; to fit the Monokey cases use the E250 plate (which is sold separately)

CODE	DESCRIPTION (NOTES)
------	---------------------

TN256	Specific engine guard, bronze we recommend that the mounting is carried out by a qualified motorcycle mechanic
A256A	Specific fitting-kit for A755, in inox
A257A	Specific fitting-kit for 240A, 240BL, 240N902 in inox

#### CBR 900 RR (92 -> 99)

233F	Specific Monorack arms
------	------------------------

#### CBR 900 RR (00-01)

254FL	▲ Specific Monorack arms only with M35 plate
-------	--

#### CBR 900 RR (02-03)

218FZ	Specific Monorack arms only with M5/M11/M5M plate/with integrated passenger grabrails
D218DB	Specific screen double bubble, smoked 29,2 x 34,3 cm (h. x w.)

#### CBR 1000 F (89 -> 92)

227F	Specific Monorack arms
Y155	Specific kit for Wingrack system

#### CBR 1000 F (93 -> 00)

227F	Specific Monorack arms
Y155	Specific kit for Wingrack system

#### CBR 1000 RR (04 - 05)

D304DB	Specific screen double bubble, smoked 34 x 35 cm (h. x w.)
--------	--

#### VTR 1000 F (97 -> 04)

251F	Specific Monorack arms
------	------------------------

#### XL 1000V Varadero (99 -> 02)

E212	Specific rear plate
PL164	Tubular side-case holder, black
D203S	Specific screen, smoked 62,4 x 55 cm (h. x w.)
D203ST	Specific screen, transparent 62,4 x 55 cm (h. x w.)
TN365	Specific engine guard, black we recommend that the mounting is carried out by a qualified motorcycle mechanic

#### XL 1000V Varadero (03 -> 05)

E212	Specific rear plate
PL170	Tubular side-case holder, black it can be mounted without replacing the original indicators
TN367	Specific engine guard, black we recommend that the mounting is carried out by a qualified motorcycle mechanic
D300S	Specific screen, smoked 60 x 48 cm (h. x w.) 9 cm higher than the original wind-screen
D300ST	Specific screen, transparent 60 x 48 cm (h. x w.) 9 cm higher than the original wind-screen

#### CBR 1100 XX (97 -> 05)

248F	Specific Monorack arms
Y158	Specific kit for Wingrack system
DH196	Specific screen, smoked 42,6 x 62 cm (h. x w.)

#### ST 1100 Pan European

E190	Specific rear plate
D184S	Specific screen, smoked 46,5 x 40,5 cm (h. x w.)

CODE	DESCRIPTION (NOTES)
------	---------------------

**X-11 (00 -> 03)**

253F	Specific Monorack arms
------	------------------------

**CB 1300 (03 -> 05)**

259FZ	Specific Monorack arms	only with M5/M11/M5M plate
TN451	Specific engine guard, black	we recommend that the mounting is carried out by a qualified motorcycle mechanic

**Pan European ST 1300 (02 -> 05)**

E215	Specific rear plate	to be mounted on the original case holder
D302ST	Specific screen, transparent 56,5x 59,5 cm (h. x w.)	6,5 cm higher than the original one

**Gold Wing 1500 (-> 00)**

D216S	Specific screen, transparent 66 x 71 cm (h. x w.)	similar to the original version with central slit for original grille
-------	---	---

# YAMAHA

**BW'S 50 (05) NEW**

SR356	📄 Specific luggage carrier (top case)	you need to remove the handle bar of the scooter to install it
-------	---------------------------------------	--

**Neo's 50-100 (97 -> 01)**

SR86	📄 Specific luggage carrier (top case)
138A	▲ Wind-screen, transparent 59,9 x 58,2 cm (h. x w.)
A138A	▲ Specific fitting-kit for 138A

**Why 50 (97 -> 01)**

E328	▲ Specific rear plate
------	-----------------------

**Cignus X 125 (04)**

102A	Specific wind-screen with handprotector, transparent 66 x 68 cm (h. x w.)
128A	Wind-screen with handprotector, transparent 74 x 67 cm (h. x w.)
A280A	Specific fitting-kit for 102A and 128A
SR354	📄 Specific luggage carrier (top case)

**XT 125 R / XT 125 X (05) NEW**

E332	📄 Specific luggage carrier (top case)	max loading of the carrier Kg 6 with topcase
------	---------------------------------------	--

**Majesty 125-150 (99 - 00)**

SR43	▲ 📄 Specific luggage carrier (top case)	
TB501	Specific backrest	
D125ST	▲ Specific wind-screen, transparent 72 x 71,3 cm (h. x w.)	there's no need of fitting kit

Specific colour versions: the list of specific colours is at page 11  
▲= Item available until it runs out of stock

📄 In order to fit the Monolock boxes use the plate included

📄 In order to fit the Monolock boxes use the plate included; to fit the Monokey cases use the E250 plate (which is sold separately)

CODE	DESCRIPTION (NOTES)
------	---------------------

**Majesty 125-180 (01->04)**

SR46	Specific luggage carrier (top case)	complete with M5 nylon plate
SR46M	Ⓞ Specific luggage carrier (top case)	
TB46	Specific backrest	
130DT	Wind-screen, transparent 69,2 x 68,2 cm (h. x w.)	it is necessary to use the specific fitting kit D130KIT
D130KIT	Specific fitting-kit for 130DT	

**Majesty 250 (96 -> 99)**

SR42	▲ Specific luggage carrier (top case)	complete with M2 aluminium plate
SR42M	▲ Specific luggage carrier (top case)	complete with MM aluminium plate
TB500N	▲ Specific backrest	
D115ST	●▲ Specific wind-screen, transparent 73 x 79 cm (h. x w.)	
D115S	●▲ Specific wind-screen, smoked 73 x 79 cm (h. x w.)	

•These items are sold in 2 pieces and are not available separately

**Majesty 250 (00 -> 05)**

SR44	Specific luggage carrier (top case)	complete with M3 nylon plate
SR44M	Specific luggage carrier (top case)	complete with MM aluminium plate
TB504	Specific backrest	
D124ST	● Specific wind-screen, transparent 80 x 70,7 cm (h. x w.)	with hole for air intake
D124S	● Specific wind-screen, smoked 80 x 70,7 cm (h. x w.)	with hole for air intake
D127ST	● Specific wind-screen, transparent 80 x 70,7 cm (h. x w.)	without inox moulding/cheaper/without hole for air intake
CA44	▲ Specific water resistant leg protection	

•These items are sold in 3 pieces and are not available separately

**X-Max 250 (05) NEW**

SR355	Specific luggage carrier (top case)	it is necessary to drill the tail fairing of th scooter in the indicated points to mount it
SR355M	Ⓞ Specific luggage carrier (top case)	it is necessary to drill the tail fairing of th scooter in the indicated points to mount it
D434ST	Wind-screen transparent with handprotector, 63,5 x 69,5 (h. x w.)	25,5 cm higher than the original
TB49	Specific backrest	it cannot be mounted with the case carriers SR355/SR355M with case

**XV 250 Virago ( -> 99)**

324F	▲ Specific Monorack arms	only for version without original grab handles
A10	Wind-screen, bronze 37,1 x 39,2 cm (h. x w.)	
A71A	Specific fitting-kit for A10	
A12N	Wind-screen, 54,3 x 47,3 cm (h. x w.)	high and shaded bottom version
A14	Wind-screen, 38,7 x 40,8 cm (h. x w.)	low and transparent version
AS71A	Specific fitting-kit for A14 and A12N	

**Versity 300 (03 -> 05)**

SR352	Specific luggage carrier (top case)	complete with M5 nylon plate
SR352M	Specific luggage carrier (top case)	complete with M5M nylon plate
D431ST	Wind-screen transparent 62 x 70 (h. x w.)	12 cm higher than the original wind-screen
D432ST	Wind-screen transparent 72 x 75 (h. x w.)	22 cm higher than the original
TB50	Specific backrest	it cannot be combined with SR352-SR352M

**XC 300 (04 - 05)**

SR352	Specific luggage carrier (top case)	complete with M5 nylon plate
SR352M	Specific luggage carrier (top case)	complete with M5M nylon plate
D431ST	Wind-screen transparent 62 x 70 (h. x w.)	12 cm higher than the original wind-screen
D432ST	Wind-screen transparent 72 x 75 (h. x w.)	22 cm higher than the original
TB50	Specific backrest	it cannot be combined with SR352-SR352M

CODE	DESCRIPTION (NOTES)	
<b>Majesty 400 (04 -&gt; 05)</b>		
E331	Specific luggage carrier (top case)	complete with M5 nylon plate
E331M	Specific luggage carrier (top case)	complete with M5M nylon plate
TB47	Specific backrest	only to be combined with the E331/E331M
TB48	Specific backrest	it has to be mounted alone / it cannot be combined with any case carrier
D137ST	Wind-screen transparent 75 x 61 (h. x w.)	10 cm higher than the original
<b>T-MAX 500 (01 -&gt; 05)</b>		
SR45	Specific luggage carrier (top case)	complete with M5 nylon plate
TB45	Specific backrest	
D128ST	• Specific wind-screen, transparent 80,1 x 64,5 cm (h. x w.)	
D128B	Specific wind-screen lower version, smoked 52 x 44,5 cm (h. x w.)	
•These items are sold in 2 pieces and are not available separately		
<b>XV 535 Virago (89 -&gt; 00)</b>		
A10	Wind-screen, bronze 37,1 x 39,2 cm (h. x w.)	
A71A	Specific fitting-kit for A10	
A12N	Wind-screen, 54,3 x 47,3 cm (h. x w.)	high and shaded bottom version
A14	Wind-screen, 38,7 x 40,8 cm (h. x w.)	low and transparent version
AS71A	Specific fitting-kit for A12N and A14	
T240	▲ Tubular holder for soft luggage, chromed	only for models from '95 to '99
T372	▲ Specific engine guard, chromed	we recommend that the mounting is carried out by a qualified motorcycle mechanic
<b>FZS 600 Fazer (98-99)</b>		
340F	Specific Monorack arms	
D122S	Specific screen, smoked 42 x 34,4 cm (h. x w.)	
<b>FZS 600 Fazer (00 -&gt;03)</b>		
340F	Specific Monorack arms	
Y342	Specific kit for Wingrack system	
D122S	Specific screen, smoked 42 x 34,4 cm (h. x w.)	only for models from '00 to '01
D131S	▲ Specific screen, smoked 47 x 32,5 cm (h. x w.)	only for models from '02 to '03
<b>FZ6/FZ6 600 Fazer (04 - 05)</b>		
351FZ	❗ Specific Monorack arms	only with M5/M11/M5M nylon plate
PL351	Tubular side-case holder	it can be mounted with or without the 351FZ Monorack/without the Monorack it is necessary to use the 351Kit
351KIT	Specific fitting kit for the mounting of PL351	withouth the 351FZ Monorack
T351	Tubular holder for soft luggage, black	it can be mounted with the Monorack / to mount it without the Monorack you should buy item 351KIT separately
D136ST	Specific screen, transparent 61 x 53,5 cm (h. x w.)	12,5 cm higher than the original / only for faired models
140D	Wind-screen, smoked 35 x 36 cm (h. x w.)	only for unfaired models
D140KIT	Specific fitting-kit for 140D	
TN354	Specific engine guard, black	it can be installed also on versions having the central stand
<b>YZF R6 (99-&gt;02)</b>		
D123S	▲ Specific screen, smoked 33,5 x 35,4 cm (h. x w.)	
D123BL	▲ Specific screen, blue 27,1 x 35,6 cm (h. x w.)	
<b>YZF R6 (03-04)</b>		
D135S	Specific screen, smoked 43 x 37,2 cm (h. x w.)	with spoiler
D135DB	Specific screen double bubble, smoked 43,4 x 36,5 cm (h. x w.)	

Specific colour versions: the list of specific colours is at page 11  
▲= Item available until it runs out of stock

❗ In order to fit the Monolock boxes use the plate included

📦 In order to fit the Monolock boxes use the plate included; to fit the Monokey cases use the E250 plate (which is sold separately)

CODE	DESCRIPTION (NOTES)
<b>XJ 600</b>	
D67S	Specific screen, smoked 29,7 x 44,5 cm (h. x w.)
<b>XJ 600 Diversion (91-92)</b>	
325F	Specific Monorack arms
Y211	▲ Specific kit for Wingrack system
<b>XJ 600 Diversion (93 -&gt; 95)</b>	
325F	Specific Monorack arms
Y211	▲ Specific kit for Wingrack system
<b>XJ 600 Diversion (96 -&gt; 03)</b>	
325F	Specific Monorack arms
Y335	Specific kit for Wingrack system
D116S	Specific screen, smoked 46 x 33,5 cm (h. x w.) <span style="float: right;">only for "S" version</span>
<b>XJ 600 Diversion N (96 -&gt; 99)</b>	
325F	Specific Monorack arms
Y335	Specific kit for Wingrack system
<b>XT 600 E (90 -&gt; 94)</b>	
320F	Specific Monorack arms
<b>XT 600 E (95 -&gt; 02)</b>	
333F	Specific Monorack arms
<b>YZF 600 Thunder Cat (96 -&gt; 02)</b>	
338F	Specific Monorack arms
D118S	Specific screen, smoked 45,1 x 36,8 cm (h. x w.)
<b>XVS 650 Drag Star (97 -&gt; 02)</b>	
A35N	Wind-screen, 54,9 x 46,8 cm (h. x w.) <span style="float: right;">high and shaded bottom version</span>
A23	Wind-screen, 38,8 x 41 cm (h. x w.) <span style="float: right;">low and transparent version</span>
AS100A2	Specific fitting-kit for A23 and A35N
T244	Tubular holder for soft luggage, chromed
TS817	Backrest with detachable small luggage carrier
<b>XVS 650A Drag Star Classic (98 -&gt; 02)</b>	
A39	Wind-screen, transparent 51,7 x 57,3 cm (h. x w.) <span style="float: right;">high version</span>
AS102A2	Specific fitting-kit for A39
TS818	Backrest with detachable small luggage carrier
<b>XT 660 R / XT 660 X (04-05)</b>	
SR353M	Specific luggage carrier (top case) <span style="float: right;">complete with M5M nylon plate</span>
PL353	Tubular side-case holder <span style="float: right;">it can be mounted with or without the SR353</span>
TN353	Specific engine guard, black
D433S	Specific screen, smoked 37 x 36,5 cm (h. x w.)
<b>660 Teneré (91 -&gt; 93)</b>	
D105S	Specific screen, smoked 33,5 x 27 cm (h. x w.) <span style="float: right;">D105 ▲</span>
<b>XTZ 660 Teneré (94 -&gt; 99)</b>	
D105S	Specific screen, smoked 33,5 x 27 cm (h. x w.) <span style="float: right;">D105 ▲</span>

CODE	DESCRIPTION (NOTES)	
<b>XJ 750</b>		
D67S	Specific screen, smoked 29,7 x 44,5 cm (h. x w.)	
<b>XTZ 750 Super Teneré (89 -&gt; 99)</b>		
316F	Specific Monorack arms	
D98S	Specific screen, smoked 35,4 x 28,6 cm (h. x w.)	only for years from '91 to '94
<b>XV 750 Virago (89 -&gt; 98)</b>		
319F	Specific Monorack arms	
A35N	Wind-screen, 54,9 x 46,8 cm (h. x w.)	only for models from '92 to '98 / high and shaded bottom version
A23	Wind-screen, 38,8 x 41 cm (h. x w.)	only for models from '92 to '98 / low and transparent version
AS99A2	Specific fitting-kit for A35N and A23	
T242	▲ Tubular holder for soft luggage, chromed	only for models from '92 to '98
<b>TDM 850 (91 -&gt; 95)</b>		
323F	Specific Monorack arms	
D107S	Specific screen, smoked 37 x 26,5 cm (h. x w.)	only with spoiler
<b>TDM 850 (96 -&gt; 01)</b>		
336F	Specific Monorack arms	
PLA336	Tubular side-case holder, black	in order to fix the top case you have to combine PA01
Y336	Specific kit for Wingrack system	
D116S	Specific screen, smoked 46 x 33,5 cm (h. x w.)	
<b>TDM 900 (02 -&gt; 05)</b>		
347F	Specific Monorack arms	max loading of the carrier Kg 6 with topcase
SR347	📦 Specific luggage carrier (top case)	max loading of the carrier Kg 5
PL347	Tubular side-case holder, black	max loading of the carrier Kg 3 for topcase/the original indicators should be repositioned
Y347	Specific kit for Wingrack system	only for N140 Wingrack side holder/max loading of the carrier Kg 3 for topcase
TN347	Specific engine guard, black	we recommend that the mounting is carried out by a qualified motorcycle mechanic
D132S	Specific screen, smoked 41 x 32,5 cm (h. x w.)	with spoiler
T347	▲ Tubular holder for soft luggage, black	can be mounted with the Monorack
<b>XJ 900 Diversion (94 -&gt; 99)</b>		
331F	Specific Monorack arms	
Y215	Specific kit for Wingrack system	
D114S	Specific screen, smoked 52,2 x 42,8 cm (h. x w.)	
<b>XJ 900 Strider (88)</b>		
D67S	Specific screen, smoked 29,7 x 44,5 cm (h. x w.)	
<b>FZS 1000 FAZER (01-02)</b>		
348FZ	Specific Monorack arms	only with M5, M11, M5M nylon plate
PL348	Tubular side-case holder	we ask you to mount it with E21 side-case / can be mounted only with the Monorack FZ348
D129S	Specific screen, smoked 43,5 x 33 cm (h. x w.)	
<b>FZS 1000 FAZER (03 -&gt; 05)</b>		
348FZ	Specific Monorack arms	only with M5, M11, M5M nylon plate
PL349	Tubular side-case holder	we ask you to mount it with E21 side-cases / can be mounted only with the Monorack FZ348
D129S	Specific screen, smoked 43,5 x 33 cm (h. x w.)	

Specific colour versions: the list of specific colours is at page 11  
▲= Item available until it runs out of stock

ⓘ In order to fit the Monolock boxes use the plate included

📦 In order to fit the Monolock boxes use the plate included; to fit the Monokey cases use the E250 plate (which is sold separately)



CODE	DESCRIPTION (NOTES)
<b>YZF 1000 Thunder Ace (96 -&gt; 00)</b>	
337F	Specific Monorack arms
<b>YZF R1 1000 (02-03)</b>	
D133DB	Specific screen double bubble, smoked 30,5 x 48 cm (h. x w.)
<b>YZF R1 1000 (04-05)</b>	
D430DB	Specific screen double bubble, smoked 45,8 x 34 cm (h. x w.)
<b>BT 1100 Bulldog (02 -&gt; 04)</b>	
350FZ	Specific Monorack arms <span style="float: right;">only with M5/M11/M5M plate</span>
<b>XV 1100 Virago (89 -&gt; 99)</b>	
319F	Specific Monorack arms
A35N	Wind-screen, 54,9 x 46,8 cm (h. x w.) <span style="float: right;">high and shaded bottom version</span>
A23	Wind-screen, 38,8 x 41 cm (h. x w.) <span style="float: right;">low and transparent version</span>
AS99A2	Specific fitting-kit for A35N and A23
T242	▲ Tubular holder for soft luggage, chromed
<b>XVS 1100 Drag Star (99-&gt;02)</b>	
A35N	Wind-screen, 54,9 x 46,8 cm (h. x w.) <span style="float: right;">high and shaded bottom version</span>
A23	Wind-screen, 38,8 x 41 cm (h. x w.) <span style="float: right;">low and transparent version</span>
AS100A2	Specific fitting-kit for A35N and A23
TS819	Backrest with detachable small luggage carrier
<b>XVS 1100 Drag Star Classic (00 -&gt; 02)</b>	
A39	Wind-screen, transparent 51,7 x 57,3 cm (h. x w.) <span style="float: right;">only high version</span>
AS102A2	Specific fitting-kit for A39
TS823	Backrest with detachable small luggage carrier
T270	Tubular holder for soft luggage, chromed
<b>FJ 1100</b>	
297F	Specific Monorack arms
<b>FJ 1200 (87)</b>	
297F	Specific Monorack arms
Y204	▲ Specific kit for Wingrack system
<b>FJ 1200 (88 -&gt; 99)</b>	
297F	Specific Monorack arms
Y204	▲ Specific kit for Wingrack system
<b>XJR 1200 (95 -&gt; 98)</b>	
341F	Specific Monorack arms
<b>V-MAX 1200</b>	
A123	Wind-screen, smoked 31 x 29,5 cm (h. x w.)
<b>FJR 1300 (01 -&gt; 05)</b>	
SR346	Specific luggage carrier (top case) <span style="float: right;">can be mounted only with the original side-case holder/complete with M5 plate we ask you to mount it with cases from 35 to 46 ltr</span>
Y346	Specific kit for Wingrack system <span style="float: right;">only with N141</span>
D134ST	Specific screen, transparent 47 x 51 cm (h. x w.) <span style="float: right;">5 cm higher than the original wind-screen</span>

CODE	DESCRIPTION (NOTES)
<b>XJR 1300 (98 -&gt; 02)</b>	
341F	Specific Monorack arms
Y341	Specific kit for Wingrack system
<b>XJR 1300 (04)</b>	
355F	Specific Monorack arms
Y355	Specific kit for Wingrack system <span style="float: right;">only with N140</span>

## KAWASAKI

### EN 500 Classic (96)

**TS833** Backrest with detachable small luggage carrier

### ER 5 500 (98 -> 00)

**432F** Specific Monorack arms

### ER 5 500 (01 -> 04)

**440F** Specific Monorack arms

### GPZ 500 S (88 -> 93)

**404F** Specific Monorack arms

### GPZ 500 S (94 -> 03)

**425F** Specific Monorack arms

### KLE 500 (91 -> 93)

**E127** Specific rear plate

**164D** ▲ Wind-screen, smoked 34,3 x 29,9 cm (h. x w.) only with spoiler/it is necessary to drill the wind-screen

### KLE 500 (94-95)

**E127** Specific rear plate

**D168S** Specific screen, smoked 38,7 x 32,3 cm (h. x w.) only with spoiler

Specific colour versions: the list of specific colours is at page 11  
▲ = Item available until it runs out of stock

ⓘ In order to fit the Monolock boxes use the plate included

📖 In order to fit the Monolock boxes use the plate included; to fit the Monokey cases use the E250 plate (which is sold separately)

CODE	DESCRIPTION (NOTES)
------	---------------------

**KLE 500 (00 -> 02)**

E127	Specific rear plate
D168S	Specific screen, smoked 38,7 x 32,3 cm (h. x w.) <span style="float: right;">only with spoiler</span>

**KLE 500 (05) NEW**

E580	① Specific rear plate <span style="float: right;">complete with Monokey plate/max loading of the carrier 6 Kg</span>
------	--

**GPZ 600 R**

D71S	▲ Specific screen, smoked 35,3 x 35,1 cm (h. x w.)
------	--

**ZL 600 Eliminator**

A12N	Wind-screen, 54,3 x 47,3 cm (h. x w.) <span style="float: right;">high and shaded bottom version</span>
------	---

**ZZR 600 (90 -> 92)**

415F	Specific Monorack arms
------	------------------------

**ZZR 600 (93 -> 01)**

423F	Specific Monorack arms
Y412	Specific kit for Wingrack system <span style="float: right;">it has to be mounted with the original indicators</span>
D166S	Specific screen, smoked 42,9 x 37 cm (h. x w.)

**ZZR 600 (02 -> 04)**

PL442	Tubular side-case holder, black <span style="float: right;">it can be mounted with or without the 423F Monorack</span>
-------	--

**ZX 6R Ninja (00->02)**

439FL	Specific Monorack arms <span style="float: right;">only with M35 plate</span>
-------	---

**ZX 6R Ninja 636 (03-04)**

D400DB	Specific screen double bubble, smoked 32,7 x 39,2cm (h. x w.)
--------	---

**ER 6N (05) NEW**

445FZ	① Specific Monorack arms <span style="float: right;">only with M5M plate/max loading of the carrier 6 Kg</span>
-------	---

**KLR 650 Enduro (- > 95)**

E127	Specific rear plate
------	---------------------

**Tengai 650**

E127	Specific rear plate
------	---------------------

**ZR 7 (99 -> 03)/ZR 7 S (99 -> 03)**

436F	Specific Monorack arms
PLB436	Tubular side-case holder, black <span style="float: right;">in order to fix the top case you have to combine PBO2/can not be mounted with 436F</span>

**Z 750 (04 -> 05)**

443FZ	Specific Monorack arms <span style="float: right;">only with M5/M11/M5M plate/max loading of the carrier 6 Kg</span>
402D	Specific screen, smoked 41 x 38,5 cm (h. x w.)
D402KIT	Specific fitting-kit for 402D

**Z 750 S (05)**

444FZ	Specific Monorack arms <span style="float: right;">only with M5/M5M plate/max loading of the carrier 6 Kg</span>
D403S	Specific screen, smoked 38,5 x 31 cm (h. x w.) <span style="float: right;">6 cm higher than the original</span>
T217	Tubular holder for soft luggage <span style="float: right;">can be mounted with 444FZ</span>

CODE	DESCRIPTION (NOTES)	
<b>VN 800</b>		
T249	Tubular holder for soft luggage, chromed	only for year '95
TS834	Backrest with detachable small luggage carrier	
PL732	Tubular side-case holder, black	only for year '95/can not be mounted with the Monorack
<b>VN 800 Classic (96 -&gt; 02)</b>		
A37N	Wind-screen, 54 x 47,2 cm (h. x w.)	high and shaded bottom version
A36	Wind-screen, 40,7 x 41 cm (h. x w.)	low and transparent version
AS126A2	Specific fitting-kit for A37N and A36	
PL732	Tubular side-case holder, black	can not be mounted with the Monorack
TS834	Backrest with detachable small luggage carrier	from '96 to '99
T249	Tubular holder for soft luggage, chromed	
TS835	Specific backrest without small luggage carrier	from '00 to '02
<b>VN 800 Drifter (01-02)</b>		
A44	▲ Wind-screen, transparent 55 x 51 cm (h. x w.)	high and transparent version
AS127A2	▲ Specific fitting-kit for A44	
<b>ZX 900 R</b>		
D70S	▲ Specific screen, smoked 37,5 x 37,6 cm (h. x w.)	
<b>ZX 9R Ninja (00-01)</b>		
437FL	Specific Monorack arms	only with M35 plate
<b>GTR 1000</b>		
E128	Specific rear plate	
D74S	Specific screen, smoked 48,2 x 53,5 cm (h. x w.)	only with spoiler
<b>KLV 1000 (04 - 05)</b>		
E528	① Specific rear plate	complete with E250 plate
PL528	Tubular side-case holder	
TN528	Specific engine guard, black	we recommend that the mounting is carried out by a qualified motorcycle mechanic
D260ST	Specific transparent wind-screen, 57 x 48 cm (h. x w.)	with spoiler/18 cm higher than the original wind-screen/only for year '04
<b>Z 1000 (03 -&gt; 05)</b>		
442FZ	Specific Monorack arms	only with M5/M11/M5M plate/max loading of the carrier 6 Kg
D401S	Specific screen, smoked 41 x 26,5 cm (h. x w.)	
<b>ZRX 1100 / ZRX 1100 S (97 -&gt; 01)</b>		
433F	Specific Monorack arms	we ask you to mount it with cases from 35 to 36 ltr
D174S	Specific screen, smoked 36,2 x 32,1 cm (h. x w.)	only for faired models
<b>ZZR 1100 (90 -&gt; 92)</b>		
416F	Specific Monorack arms	
<b>ZZR 1100 (93 -&gt; 01)</b>		
422F	Specific Monorack arms	
Y411	Specific kit for Wingrack system	it has to be mounted with the original indicators
DH167	Specific screen, smoked 46,2 x 40,5 cm (h. x w.)	

Specific colour versions: the list of specific colours is at page 11  
▲ = Item available until it runs out of stock

① In order to fit the Monolock boxes use the plate included

📄 In order to fit the Monolock boxes use the plate included; to fit the Monokey cases use the E250 plate (which is sold separately)

CODE	DESCRIPTION (NOTES)
------	---------------------

**ZZR 1200 (02 -> 05)**

441FZ	Specific Monorack arms	the original grabrails should be removed since the Monorack already has them integrated only with M5/M11/M5M plate
PL441	Tubular side-case holder	can be mounted only with the Monorack 441FZ
D179S	Specific screen, smoked 46 x 43 cm (h. x w.)	with spoiler / 5 cm higher and 3 wider than the original windscreen

**ZRX 1200 (02)**

433F	Specific Monorack arms	we ask you to mount it with cases from 35 to 36 ltr
------	------------------------	---

**ZRX 1200 R (02)**

433F	Specific Monorack arms	we ask you to mount it with cases from 35 to 36 ltr
D174S	Specific screen, smoked 36,2 x 32,1 cm (h. x w.)	

**ZRX 1200 S (01-02)**

433F	Specific Monorack arms	we ask you to mount it with cases from 35 to 36 ltr
D178S	Specific screen, smoked 51 x 39,5 cm (h. x w.)	with spoiler / 8 cm higher than the original windscreen

**ZX 12 R (00-01)**

438FL	Specific Monorack arms	only with M35 plate
-------	------------------------	---------------------

**VN 1500 Drifter (01)**

A44	▲ Wind-screen, transparent 55 x 51 cm (h. x w.)	high and transparent version
AS127A2	▲ Specific fitting-kit for A44	

# SUZUKI

**VL 125 Intruder (00 -> 02)/VL 250 Intruder (01 -02)**


TS847	▲ Backrest with detachable small luggage carrier	
-------	--	--

**Epicuro 125-150 (98 -> 01)**

E380	Fitting kit for Monolock top cases	
------	------------------------------------	--


**UH 125-150 Burgman (02 -> 05)**

SR114	① Specific luggage carrier	without plate
TB114	Specific backrest	can be mounted only with the SR114
TB115	Specific backrest	it can be mounted only without the SR114
D256ST	Wind-screen with hand-protector, transparent 83 x 53 cm (h. x w.)	20 cm higher than the original windscreen

CODE	DESCRIPTION (NOTES)	
<b>AN 250-400 Burgman (98 → 02)</b>		
SR111	Specific luggage carrier (top case)	complete with M3 nylon plate
SR111M	Specific luggage carrier (top case)	complete with MM aluminium plate
156DT	• Wind-screen, transparent 72,5 x 79,5 cm (h. x w.)	it is necessary to use the specific fitting kit D156KIT
156D	• Wind-screen, smoked 72,5 x 79,5 cm (h. x w.)	it is necessary to use the specific fitting kit D156KIT
D156KIT	Specific fitting-kit for 156DT and 156D	
•These items are sold in 2 pieces and are not available separately		
<b>AN 250-400 Business (01→03)</b>		
SR112	* Specific luggage carrier (top case)	complete with M5 nylon plate/max loading of the carrier 3 Kg
SR113	▲ * Specific luggage carrier (top case)	complete with M5 nylon plate/max loading of the carrier 3 Kg
SR113M	▲  Simplified specific luggage carrier (top case)	
156DT	• Wind-screen, transparent 72,5 x 79,5 cm (h. x w.)	it is necessary to use the specific fitting kit D156KIT
156D	• Wind-screen, smoked 72,5 x 79,5 cm (h. x w.)	it is necessary to use the specific fitting kit D156KIT
D156KIT	• Specific fitting-kit for 156DT and 156D	
•These items are sold in 2 pieces and are not available separately		
*In any case it would be advisable not to load on the carrier a weight superior to 3 Kg.		
<b>AN 250-400 Burgman K3/K4/K5 (03 → 05)</b>		
SR115	ⓘ Specific luggage carrier (top case)	complete with M5 nylon plate
D258ST	Wind-screen with hand-protector, transparent 80 x 71 cm (h. x l.)	17 cm higher than the original windscreen
<b>TU 250X (97 → 04)</b>		
A601	Parabrezza universale, 37,1 x 38,3 cm (h. x w.)	suitable
515F	Specific Monorack arms	
<b>AN 400 Burgman Type-S (05)</b>		
E530	Specific rear plate	max loading of the carrier 6 Kg/ it is necessary to drill the tail fairing behind the seat / complete with M5 plate
E530M	Specific rear plate	max loading of the carrier 6 Kg/ it is necessary to drill the tail fairing behind the seat/ complete with M5m plate
<b>GS 500 E (93 → 96)</b>		
508F	▲ Specific Monorack arms	
<b>GS 500 E (97 → 00)</b>		
524F	Specific Monorack arms	
<b>GS 500 E (01 → 04) / GS 500 F (04)</b>		
526F	Specific Monorack arms	
<b>GSF 600 Bandit / S (96 → 99)</b>		
511F	Specific Monorack arms	
PLB511	Tubular side-case holder, black	in order to fix the top case you have to combine PBO2
DH154	▲ Specific screen, smoked 40,7 x 35,7 cm (h. x w.)	only for faired models
TN392	Specific engine guard, black	we recommend that the mounting is carried out by a qualified motorcycle mechanic
<b>GSF 600 Bandit / S (00 → 04)</b>		
522F	Specific Monorack arms	
PL522	Tubular side-case holder, black	
Y522	Specific kit for Wingrack system	
D252S	Specific screen, smoked 44,8 x 39,7 cm (h. x w.)	only for faired models
TN392	Specific engine guard, black	we recommend that the mounting is carried out by a qualified motorcycle mechanic

Specific colour versions: the list of specific colours is at page 11  
▲= Item available until it runs out of stock

ⓘ In order to fit the Monolock boxes use the plate included

 In order to fit the Monolock boxes use the plate included; to fit the Monokey cases use the E250 plate (which is sold separately)

CODE	DESCRIPTION (NOTES)
------	---------------------

**GSX 600 F (88 -> 97)**

488F	Specific Monorack arms
------	------------------------

**GSX 600 F (98 -> 02)**

518F	Specific Monorack arms
------	------------------------

PL525	▲ Tubular side-case holder, black	only for years '01 and '02
-------	-----------------------------------	----------------------------

Y518	Specific kit for Wingrack system	it can not be mounted on the year '01 and '02 models
------	----------------------------------	--

DH158	Specific screen, smoked 47 x 33,7 cm (h. x w.)
-------	--

**GSX 600 F (03)**

530FZ	Specific Monorack arms	only with M5/M11/M5M plate
-------	------------------------	----------------------------

PL530	▲ Tubular side-case holder, black	can be mounted with the Monorack 530FZ
-------	-----------------------------------	--

**GSX 600 R (04)**

D261DB	Specific screen double bubble, smoked 35 x 34,8 cm (h. x w.)
--------	--

**AN 650 Burgman (02 -> 04) / (K3/K4)**

E529	Specific rear plate	can not be mounted with the TB529 / complete with M5 plate
------	---------------------	--

E529M	Specific rear plate	can not be mounted with the TB529 / complete with M5M plate
-------	---------------------	---

TB529	Specific backrest	can not be mounted with the E529
-------	-------------------	----------------------------------

D257ST	Wind-screen with hand-protector, transparent 80 x 72 cm (h. x w.)
--------	---

**AN 650 Burgman (04)**

E529	Specific rear plate	it is necessary to remove the original backrest/ can not be mounted with the TB529 / complete with M5 plate
------	---------------------	---

E529M	Specific rear plate	it is necessary to remove the original backrest/ can not be mounted with the TB529 / complete with M5M plate
-------	---------------------	--

TB529	Specific backrest	can not be mounted with the E529
-------	-------------------	----------------------------------

D257ST	Wind-screen with hand-protector, transparent 80 x 72 cm (h. x w.)
--------	---

**AN 650 Executive (05) NEW**

D263ST	Wind-screen with hand-protector, transparent 78,5 x 72 cm (h. x w.)
--------	---

**DL 650 V-STROM (04-05)**

E528	Ⓢ Specific rear plate	complete with E250 plate
------	-----------------------	--------------------------

PL532	Tubular side-case holder, black	it can be mounted with or without the Monorack / it can be mounted without replacing the original indicators
-------	---------------------------------	--

D260ST	Specific transparent wind-screen, 57 x 48 cm (h. x w.)	18 cm higher than the original/with spoiler
--------	--	---

TN532	Specific engine guard, black	we recommend that the mounting is carried out by a qualified motorcycle mechanic
-------	------------------------------	--

**GSF 650 Bandit (05)**

534FZ	Specific Monorack arms
-------	------------------------

PL534	Tubular side-case holder, black	can be mounted without FZ Monorack/ the original indicators should be repositioned
-------	---------------------------------	--

A163A	Specific fitting-kit for A750N-A750__, stainless steel
-------	--

TN534	Specific engine guard, black
-------	------------------------------

A164A	Specific fitting-kit for 240A-240BL-240N902
-------	---

**GSF 650 S Bandit S (05)**

534FZ	Specific Monorack arms
-------	------------------------

PL534	Tubular side-case holder, black	can be mounted without FZ Monorack/ the original indicators should be repositioned
-------	---------------------------------	--

TN534	Specific engine guard, black
-------	------------------------------

D262S	Specific screen, smoked 45,7 x 36,5 cm (h. x w.)	only for faired models/11,5 cm higher than the original
-------	--	---

CODE	DESCRIPTION (NOTES)	
<b>GSF 650 Bandit ABS (05) NEW</b>		
PL535	Tubular side-case holder, black	can be mounted with or without FZ Monorack
<b>SV 650 / SV 650 S (99 -&gt; 02)</b>		
521FL	Specific Monorack arms	only with M35 plate
PLB521	Tubular side-case holder, black	in order to fix the top case you have to combine PBO2
D157S	Specific screen, smoked 38,7 x 35,6 cm (h. x w.)	only for faired models
<b>SV 650 / SV 650 S (03-04)</b>		
529FZ	Specific Monorack arms	only with M5/M11/M5M plate
PL529	Tubular side-case holder, black	can be mounted only with the Monorack 529FZ
D259S	Specific smoked wind-screen, 42 x 38,5 cm (h x w)	only for faired models
<b>XF 650 Freewind (97 -&gt; 02)</b>		
E171	Specific rear plate	complete with E250 plate
PL171	Tubular side-case holder, black	
D155S	Specific screen, smoked 39,8 x 28,9 cm (h. x w.)	for years from '97 to '99
D254S	Specific screen, smoked 39,9 x 32,2 cm (h. x w.)	for years from '00 to '02
<b>GSX 750 (98 -&gt; 02)</b>		
517F	Specific Monorack arms	
PL517	▲ Tubular side-case holder, black	
TN392	Specific engine guard, black	we recommend that the mounting is carried out by a qualified motorcycle mechanic
<b>GSX 750 F (88 -&gt; 97)</b>		
478F	Specific Monorack arms	
<b>GSX 750 F (98 -&gt; 03)</b>		
518F	Specific Monorack arms	
PL525	▲ Tubular side-case holder, black	only for years '01- '02
Y518	Specific kit for Wingrack system	it can not be mounted on the year '01 and '02 models
DH158	Specific screen, smoked 47 x 33,7 cm (h. x w.)	
<b>GSX 750 F (03 -&gt; 04)</b>		
530FZ	Specific Monorack arms	only with M5/M11/M5M plate
PL533	Tubular side-case holder, black	can be mounted with or without the Monorack 530FZ / the original indicators should be repositioned
<b>GSX R 750 (04)</b>		
D261DB	Specific screen double bubble, smoked 35 x 34,8 cm (h. x w.)	
<b>VL 800 Intruder Volusia (02-03)</b>		
TS848	Backrest with detachable small luggage carrier, chromed	
<b>VS 800 Intruder</b>		
A10	Wind-screen, bronze 37,1 x 39,2 cm (h. x w.)	
A93A	Specific fitting-kit for A10	

Specific colour versions: the list of specific colours is at page 11  
▲= Item available until it runs out of stock

ⓘ In order to fit the Monolock boxes use the plate included

📖 In order to fit the Monolock boxes use the plate included; to fit the Monokey cases use the E250 plate (which is sold separately)



CODE	DESCRIPTION (NOTES)
------	---------------------

### VZ 800 Marauder (97 -> 02)

A35N	Wind-screen, 54,9 x 46,8 cm (h. x w.)	from '97 to '99 / high and shaded bottom version
A23	Wind-screen, 38,8 x 41 cm (h. x w.)	from '97 to '99 / low and transparent version
A37N	Wind-screen, 54 x 47,2 cm (h. x w.)	from '00 to '02 / high and shaded bottom version
AS135A2	Specific fitting-kit for A35N, A37N and A23	
T251	Tubular holder for soft luggage, chromed	
TS845	Backrest with detachable small luggage carrier	

### DL 1000 V-STROM (02 -> 05)

E528	ⓘ Specific rear plate	complete with E250 plate
PL528	Tubular side-case holder	
D255ST	Specific screen, transparent 60 x 37,5 cm (h. x w.)	16 cm higher than the original / with spoiler/ only for '02 '03 version
TN528	Specific engine guard, black	we recommend that the mounting is carried out by a qualified motorcycle mechanic
D260ST	Specific transparent wind-screen, 57 x 48 cm (h x w)	18 cm higher than the original wind-screen / only for '04 version / with spoiler

### SV 1000 (03-04)

529FZ	Specific Monorack arms	only with M5/M11/M5M plate
PL531	Tubular side-case holder, black	can be mounted only with the Monorack 529FZ

### SV 1000S (03-04)

529FZ	Specific Monorack arms	only with M5/M11/M5M plate
PL531	Tubular side-case holder, black	can be mounted with the Monorack 529FZ
D259S	Specific smoked wind-screen, 42 x 38,5 cm (h x w)	

### GSX 1200 (98 -> 02)

517F	Specific Monorack arms	
PL517	▲ Tubular side-case holder, black	
TN393	Specific engine guard, black	we recommend that the mounting is carried out by a qualified motorcycle mechanic / only for models from '98 to '01

### GSF 1200 Bandit (96 -> 99)

511F	Specific Monorack arms	
PLB511	Tubular side-case holder, black	in order to fix the top case you have to combine PBO2
Y513	Specific kit for Wingrack system	
DH154	▲ Specific screen, smoked 40,7 x 35,7 cm (h. x w.)	only for faired models

### GSF 1200 Bandit (00 -> 05)

522F	Specific Monorack arms	
PL523	Tubular side-case holder, black	
Y523	▲ Specific kit for Wingrack system	only for '00-'01
Y526	Specific kit for Wingrack system	
TN393	Specific engine guard, black	from '00 to '01/we recommend that the mounting is carried out by a qualified motorcycle mechanic

### GSF 1200 Bandit S (00 -> 05)

522F	Specific Monorack arms	
PL523	Tubular side-case holder, black	
Y526	Specific kit for Wingrack system	
TN393	Specific engine guard, black	from '00 to '01/we recommend that the mounting is carried out by a qualified motorcycle mechanic
D252S	Specific screen, smoked 44,8 x 39,7 cm (h. x w.)	

### GSX 1300R Hayabusa (99 -> 02)

D159S	Specific screen, smoked 44,5 x 53 cm (h. x w.)	
-------	--	--

CODE	DESCRIPTION (NOTES)
------	---------------------

### GSX 1400 (02)

527FZ	Specific Monorack arms	only with M5/M11/M5M plate
PL527	Tubular side-case holder	can be mounted only with the Monorack
TN394	Specific engine guard, chromed	we recommend that the mounting is carried out by a qualified motorcycle mechanic

### VL 1500 Intruder (98 -> 03)

A39	Wind-screen, transparent 51,7 x 57,3 cm (h. x w.)	only high version
-----	---	-------------------

## APRILIA

### Rally 50

M181K	Side-case holder
-------	------------------

### SR 50 Ditech (01->03)


SR78	 Specific luggage carrier (top case)
------	---

### Atlantic 125-200-250 (03 -> 05)

E314M	Specific rear plate	complete with M5M nylon plate
D242ST	• Wind-screen with hand-protector; transparent 84 x 70 cm (h. x w.)	19 cm higher than the original windscreen

•These items are sold in 2 pieces and are not available separately

### Leonardo 125-150 (->04/'99)

SR66	 Specific luggage carrier (top case)
D236S	Specific wind-screen, smoked 33,5 x 47,7 cm (h. x w.)

### Leonardo 125-150 (05/'99 -> 10/'01)

SR68	 Specific luggage carrier (top case)
D236S	Specific wind-screen, smoked 33,5 x 47,7 cm (h. x w.)

### Leonardo 125-150-250 (02)

SR75	 Specific luggage carrier (top case)	can not be mounted on 125 cc version from '04
------	---	---


### Habana 125 (00 -> 02)

SR74	 Specific luggage carrier (top case)
------	---


### Scarabeo 125-150-200 (00 -> 03)


127AT	Wind-screen, transparent 54,2 x 66,8 cm (h. x w.)
A127A	Specific fitting-kit for 127AT and

### Sportcity 125-200 (04 - 05)

E316	 Specific rear plate	
105A	Wind-screen, with handprotector 66 x 67 cm (h. x w.)	
128A	Wind-screen with handprotector; transparent 74 x 67 cm (h. x w.)	8 cm higher than the 105A
A128A	Specific fitting-kit for 105A and 128A	only for '04
A129A	Specific fitting-kit for 105A and 128A	only for '05


Specific colour versions: the list of specific colours is at page 11  
▲= Item available until it runs out of stock

 In order to fit the Monolock boxes use the plate included

 In order to fit the Monolock boxes use the plate included; to fit the Monokey cases use the E250 plate (which is sold separately)

CODE	DESCRIPTION (NOTES)
------	---------------------

**SR 125-150 (00-01)**

SR69	▲  Specific luggage carrier (top case)
------	---

**Leonardo 250 (99 -> 01)**

SR68	 Specific luggage carrier (top case)
------	---

D238S	Specific wind-screen, smoked 46 x 49,5 cm (h. x w.)
-------	---

**Atlantic 500 (02 -> 05)**

SR76	Specific luggage carrier (top case)	complete with M5 nylon plate
------	-------------------------------------	------------------------------

SR76M	 Specific luggage carrier (top case)
-------	---

D240ST	Wind-screen with hand-protector, transparent 64 x 79 cm (h. x w.)	9 cm higher than the original windscreen
--------	---	--

**Scarabeo 500 (03-04)**

D243ST	Wind-screen, transparent 50 x 66 cm (h. x w.)	18 cm higher than the original windscreen
--------	---	---

**Pegaso 650 (94)**

D235S	Specific screen, smoked 40,3 x 31,5 cm (h. x w.)
-------	--

**Pegaso 650 Cube (97 -> 00)**

E179	Specific rear plate
------	---------------------

D237S	Specific screen, smoked 43,7 x 32,5 cm (h. x w.)
-------	--

**Pegaso 650 ie (01 -> 04)**

E179	Specific rear plate
------	---------------------

PL314	Tubular side-case holder, black	it can be mounted without replacing the original indicators/can not be mounted with original rear plate
-------	---------------------------------	---

D237S	Specific screen, smoked 43,7 x 32,5 cm (h. x w.)
-------	--

**Pegaso 650 S Strada (05) NEW**

SR79	Specific luggage carrier (top case)	complete with M5 nylon plate/max loading of the carrier Kg 6
------	-------------------------------------	--

PL315	Tubular side-case holder, black	it can be mounted without replacing the original indicators
-------	---------------------------------	---

**ETV 1000 Caponord (01 -> 05)**

E313	Specific rear plate
------	---------------------

PL313	Tubular side-case holder, black
-------	---------------------------------

D239ST	Specific screen, transparent 64 x 65,5 cm (h. x w.)	without spoiler/only from '01 to '03
--------	---	--------------------------------------

CODE	DESCRIPTION (NOTES)	
<b>BMW</b>		
<b>F 650 (94 -&gt; 96)</b>		
E182	Specific rear plate	
D230S	Specific screen, smoked 45,7 x 42,3 cm (h. x w.)	
<b>F 650 ST (97 -&gt; 99)</b>		
E182	Specific luggage carrier (top case), black	
PL185	Tubular side-case holder, black	
D232S	Specific screen, smoked 43 x 41,5 cm (h. x w.)	
<b>F 650 CS Scarver (02)</b>		
SR682M	Specific luggage carrier (top case), silver	complete with M5M nylon plate/max loading of the carrier 8 Kg
<b>F 650 GS (00 -&gt; 03)</b>		
639F	Specific Monorack arms	it cannot be mounted with the original side-case holder/ can be mounted on the model from August 00
PL188	Tubular side-case holder, black	
D234S	Specific screen, smoked 41,1 x 34 cm (h. x w.)	
<b>F 650 GS Dakar (00 -&gt; 03)</b>		
639F	Specific Monorack arms	it cannot be mounted with the original side-case holder
PL188	Tubular side-case holder, black	
<b>F 650 GS (04 - 05)</b>		
SR685	Specific luggage carrier (top case), black	
PL188	Tubular side-case holder, black	
D331ST	Specific screen, transparent 39,5 x 44 cm (h. x w.)	15,5 cm higher than the original/lt can not be combined with the original hand protectors
<b>K 75</b>		
E180	Specific rear plate	with aluminium plate
E181	Specific rear plate	with nylon plate
<b>K 75 (95)</b>		
P646	▲ Tubular side-case holder, black	to be mounted with the Monorack
<b>R 850 GS (94 -&gt; 01)</b>		
E189	Specific rear plate	complete with E250 nylon plate
PL189	Tubular side-case holder, black	
D231S	Specific screen, smoked 44,2 x 43,5 cm (h. x w.)	
<b>R 850 R (95-96)</b>		
635F	Specific Monorack arms	to be mounted with the original side-case holder
<b>R 850 R (97-98)</b>		
635F	Specific Monorack arms	to be mounted with the original side-case holder
A144	Specific screen, smoked 41,2 x 40,5 cm (h. x w.)	
<b>R 850 R (99 -&gt; 02)</b>		
635F	Specific Monorack arms	to be mounted with the original side-case holder/can not be mounted with the plate included in the Monolock cases
A144	Specific screen, smoked 41,2 x 40,5 cm (h. x w.)	

Specific colour versions: the list of specific colours is at page 11  
▲= Item available until it runs out of stock

ⓘ In order to fit the Monolock boxes use the plate included

📄 In order to fit the Monolock boxes use the plate included; to fit the Monokey cases use the E250 plate (which is sold separately)

CODE	DESCRIPTION (NOTES)
<b>R 850 R (03-04) COMFORT</b>	
A146A900	Specific wind-screen, smoked 41,5 x 38,5 cm (h. x w.) with specific fitting-kit
<b>R 850 R (03 -&gt; 05) NEW VERSION</b>	
SR683	Specific luggage carrier (top case) complete with M5 nylon plate./it can be mounted with the original side-case holder mounting only with the original pannier holders/max loading of the carrier 6 Kg
A146A900	Specific wind-screen, smoked 41,5 x 38,5 cm (h. x w.) with specific fitting-kit
<b>K 100 (90)</b>	
E180	Specific rear plate with aluminium plate
E181	Specific rear plate with nylon plate
<b>K 1100 RS</b>	
E180	Specific rear plate with aluminium plate
E181	Specific rear plate with nylon plate
<b>R 1100 R (95-96)</b>	
635F	Specific Monorack arms to be mounted with the original side-case holder
<b>R 1100 R (97-98)</b>	
635F	Specific Monorack arms to be mounted with the original side-case holder
A144	Specific screen, smoked 41,2 x 40,5 cm (h. x w.)
<b>R 1100 R (99 -&gt; 01)</b>	
635F	Specific Monorack arms to be mounted with the original side-case holder
A144	Specific screen, smoked 41,2 x 40,5 cm (h. x w.)
<b>R 1100 GS (94 -&gt; 99)</b>	
E189	Specific rear plate complete with nylon plate E250
PL189	Tubular side-case holder, black
D231S	Specific screen, smoked 44,2 x 43,5 cm (h. x w.)
<b>R 1100 RS (94 -&gt; 98)</b>	
E183	Specific rear plate to be mounted on the original luggage carrier
<b>R 1100 RT (96 -&gt; 00)</b>	
E183	Specific rear plate to be mounted on the original luggage carrier
<b>R 1100 S (02 -&gt; 05)</b>	
681F	Specific Monorack arms it can be combined with the original side case carrier
<b>R 1150 GS (00 -&gt; 03)</b>	
E189	Specific rear plate complete with nylon plate E250
PL189	Tubular side-case holder, black
D233S	Specific screen, transparent 48,5 x 36,6 cm (h. x w.)
<b>R 1150 GS Adventure (03)</b>	
E192	Specific rear plate to be fitted onto the bike rear carrier
PL682	Tubular side-case holder, black
<b>R 1150 R (01 -&gt; 05)</b>	
SR683	Specific luggage carrier (top case) complete with M5 nylon plate./it can be mounted with the original side-case holder mounting only with the original pannier holders/max loading of the carrier 6 Kg
A146A900	Specific wind-screen, smoked 41,5 x 38,5 cm (h. x w.) with specific fitting-kit

CODE	DESCRIPTION (NOTES)	
<b>R 1150 RT (01)</b>		
E183	Specific rear plate	to be mounted on the original luggage carrier
<b>R 1150 RT (02 -&gt; 04)</b>		
E191	Specific rear plate	to be mounted on the original luggage carrier/complete with nylon plate E250
D241ST	Specific screen, transparent 44 x 51 cm (h. x w.)	7 cm higher than the original windscreen/with spoiler
<b>K 1200 GT (03 -&gt; 05)</b>		
680F	Specific Monorack arms	it can be combined with the original pannier holder, without original rear carrier
<b>K 1200 RS (00 -&gt; 04)</b>		
680F	Specific Monorack arms	for models from '00 to '02 / it can be combined with the original pannier holder, without original rear carrier
<b>R 1200 GS (04 -&gt; 05)</b>		
SR684	Specific luggage carrier (top case)	complete with M5 nylon plate
PL684	Tubular side-case holder	
330DT	Specific wind-screen, transparent 51,5 x 56,5 cm (h. x w.)	14,5 cm higher than the original
D330KIT	Specific fitting kit for 330DT	adjustable like the original
<b>R 1200 ST (05) NEW</b>		
SR686M	Specific luggage carrier (top case), silver	complete with M5M nylon plate/max loading of the carrier 6 Kg
<b>R 1200 RT (05) NEW</b>		
E193	Specific rear plate	complete with E250 nylon plate

## CAGIVA

### Canyon 600 (96 -> 98)

SR59	▲ Specific luggage carrier (top case)	complete with M2 aluminium plate
------	---------------------------------------	----------------------------------

Specific colour versions: the list of specific colours is at page 11  
▲= Item available until it runs out of stock

ⓘ In order to fit the Monolock boxes use the plate included

📄 In order to fit the Monolock boxes use the plate included; to fit the Monokey cases use the E250 plate (which is sold separately)

# DUCATI

600 Monster (00-01) / 750 Monster (00-01) / 900 Monster (00-01)

**676F** ▲ Specific Monorack arms

750/900 SS (98 -> 01)

**DH270** Specific screen, smoked 41,5 x 34,7 cm (h. x w.)

ST 2/ST 4 900 (97 -> 01)

**675F** Specific Monorack arms it can not be mounted with the original side-case holder

ST 3 (04 -> 05)

**675F** Specific Monorack arms it can not be mounted with the original side-case holder

Multistrada 1000 DS (03 - 05)

**SR310** Specific luggage carrier (top case) max loading of the carrier Kg 10/ complete with M5 nylon plate

# GILERA

Trend 50

**M100K** ▲ Side-case holder

Runner 50-125-180 (99-00)

**SR125** 📦 Specific luggage carrier (top case)

Runner 50-125-180 (04-05)

**E681** Specific rear plate max loading of the carrier Kg 6

Nexus 500 (03 - 04)

**E680** Specific rear plate complete with M5 nylon plate/it is necessary to drill the tail fairing behind the seat

**E680M** Specific rear plate complete with M5M nylon plate/it is necessary to drill the tail fairing behind the seat

**D350ST** Specific screen, transparent 66 x 52 cm (h. x w.) 12 cm higher than the original

Nexus 500 (05) *NEW*

**E682** Specific rear plate complete with M5 nylon plate/it is necessary to drill the tail fairing behind the seat/max loading of the carrier Kg 6

**E682M** Specific rear plate complete with M5M nylon plate/it is necessary to drill the tail fairing behind the seat/max loading of the carrier Kg 6

# KYMCO

## Dink Classic 50

**SR80**  Specific luggage carrier (top case) we suggest not to mount the E42

## Dink Classic 125-150 (97 -> 04)

**SR80**  Specific luggage carrier (top case) we suggest not to mount the E42

**132A** • Wind-screen, transparent 72,5 x 55,1 cm (h. x w.)

**A132A** Specific fitting-kit for 132A

•These items are sold in 2 pieces and are not available separately

## B&W 125-150 (00 -> 04)

**SR82**  Specific luggage carrier (top case)

**102A** Wind-screen, transparent 66 x 68 cm (h. x w.)

**128A** Wind-screen with handprotector, transparent 74 x 67 cm (h. x w.)

**A135A** Specific fitting-kit for 102A and 128A


## Movie XL 125/150 (02 -> 04)

**SR88**  Specific luggage carrier (top case)

## People 50-125-150 (01 -> 04)

**A45** Wind-screen, transparent 60,5 x 69,5 cm (h. x w.)

**A134A** ▲ Specific fitting-kit for A45

**SR83**  Specific luggage carrier (top case) can not be mounted on 50cc. version

## People S 50-125-150 (05) NEW

**137A** Wind-screen, transparent 64 x 71 cm (h. x w.)

**A137A** Specific fitting-kit for 137A

## Grand Dink 125-150-250 (00 -> 05)

**SR87** Specific luggage carrier (top case) complete with M5 nylon plate

**SR87M**  Specific luggage carrier (top case)

**290DT** Wind-screen, transparent 60,6 x 70 cm (h. x w.) it is necessary to use the specific fitting kit D290KIT

**D290KIT** Specific fitting-kit for 290DT

## B&W 250 (01 -> 04)

**SR85**  Specific luggage carrier (top case)

## People 250 (04)

**E136**  Fitting kit for Monolock top cases

**A45** Wind-screen, transparent 60,5 x 69,5 cm (h. x w.)

**A136A** Specific fitting-kit for A45

## Xciting 250-500 (05) NEW

**SR89** Specific luggage carrier (top case) complete with M5 nylon plate


**SR89M**  Specific luggage carrier (top case)

**D291ST** Specific wind-screen, transparent 87 x 67 cm (h. x w.)

**TB80** Specific backrest it cannot be combined with SR352-SR352M

Specific colour versions: the list of specific colours is at page 11  
▲= Item available until it runs out of stock

 In order to fit the Monolock boxes use the plate included

 In order to fit the Monolock boxes use the plate included; to fit the Monokey cases use the E250 plate (which is sold separately)



# KTM

## Adventure 950 (03 -> 05)

**E650M** ⓘ Specific rear plate GIVI recommends the use of Monolock cases only

**PL650** Tubular side-case holder, black

# MALAGUTI

## Ciak MASTER 125-150 (03 - 04)

**SR35** ⓘ Specific luggage carrier (top case)

## Madison 125-150 (99 -> 02)

**TB32** ▲ Specific backrest can be mounted only with the SR32 ▲

## Madison 180-250-400 (99 -> 02)

**TB32** ▲ Specific backrest can be mounted only with the SR31

## Madison 200 (02 -> 04)

**SR34** ⓘ Specific luggage carrier (top case)

**TB32** ▲ Specific backrest can be mounted only with the Art. SR34

## Madison 250 (04)

**SR34** ⓘ Specific luggage carrier (top case)

**TB32** ▲ Specific backrest can be mounted only with the Art. SR34

## Password 250 (05) NEW

**E631** ⓘ Fitting kit for Monolock top cases

**D370ST** Specific screen with handprotector, transparent 69 x 69 cm (h. x w.)

## Spidermax 500 (05)

**E630** Specific rear plate complete with M5 nylon plate/it is necessary to drill the preset frame over the rear handle to mount it

**E630M** Specific rear plate complete with M5M nylon plate/it is necessary to drill the preset frame over the rear handle to mount it

**TB33** Specific backrest it is necessary to drill the preset frame over the rear handle to mount it

# MBK

## Ovetto 50-100 (97 -> 02)

SR86	📦 ▲	Specific luggage carrier (top case)	
138A	▲	Wind-screen, transparent 59,9 x 58,2 cm (h. x w.)	
A138A	▲	Specific fitting-kit for 138A	

## Flipper 50 (97 -> 02)

E328	▲	Fitting kit for Monolock top cases	
------	---	------------------------------------	--

## Skyliner 125-150 (99 -> 00)

SR43	📦 ▲	Specific luggage carrier (top case)	
TB501		Specific backrest	
D125ST	▲	Specific wind-screen, transparent 72 x 71,3 cm (h. x w.)	there's no need of fitting kit

## Skyliner 125-150 cat. (01-02)

SR46		Specific luggage carrier (top case)	complete with M5 nylon plate
SR46M	ⓘ	Specific luggage carrier (top case)	
TB46		Specific backrest	
130DT		Wind-screen, transparent 69,2 x 68,2 cm (h. x w.)	it is necessary to use the specific fitting kit D130KIT
D130KIT		Specific fitting-kit for 130DT	

## Skyliner 250 (00 -> 02)

SR44		Specific luggage carrier (top case)	complete with M3 nylon plate
SR44M		Specific luggage carrier (top case)	complete with MM aluminium plate
TB504		Specific backrest	
D124ST	•	Specific wind-screen, transparent 80 x 70,7 cm (h. x w.)	with hole for air intake
D124S	•	Specific wind-screen, smoked 80 x 70,7 cm (h. x w.)	with hole for air intake
D127ST	•	Specific wind-screen, transparent 80 x 70,7 cm (h. x w.)	without hole for air intake/cheaper

•These items are sold in 3 pieces and are not available separately

## Kilibré 300 (03 -> 05)

SR352		Specific luggage carrier (top case)	complete with M5 nylon plate
SR352M		Specific luggage carrier (top case)	complete with M5M nylon plate

Specific colour versions: the list of specific colours is at page 11  
▲= Item available until it runs out of stock

ⓘ In order to fit the Monolock boxes use the plate included

📦 In order to fit the Monolock boxes use the plate included; to fit the Monokey cases use the E250 plate (which is sold separately)

# MOTO GUZZI

## Breva 750 (03 -> 05)

**703F** Specific Monorack arms, bronze only with M2, M3 o MM plate/it can be mounted with the original side-case holder

## Breva 1100 (05) NEW

**SR210** Specific luggage carrier (top case) it can be mounted with the original side-case holder

**SR210M** Specific luggage carrier (top case) it can be mounted with the original side-case holder

# PEUGEOT

## Speedfight 50-100 (97 -> 99)

**M210K** Side-case holder

## X-Fight 50-100 (00 -> 02)

**M210K** Side-case holder

## Eliseo 50-100-125-150 (99 -> 02)

**SR61**  Specific luggage carrier (top case)

## Vivacity 50-100 (99 -> 02)

**SR62**  Specific luggage carrier (top case)

## SV 250 (02)

**SR14** Specific luggage carrier (top case) complete with M3 nylon plate

**SR140**  Specific luggage carrier (top case)

**TB600** Specific backrest

**D199ST** \*• Specific wind-screen, transparent 49,9 x 72,5 cm (h. x w.)

**D199S** \*• Specific wind-screen, smoked 49,9 x 72,5 cm (h. x w.)

**D202ST** \*• Specific wind-screen, transparent 60 x 74,4 cm (h. x w.) 10 cm. higher than D199ST and D199S

\*Attention: for better fastening it is advisable to mount items D199S, D199ST and D202ST onto SV 250 with D199 KIT

•These items are sold in 2 pieces and are not available separately

# PIAGGIO

## Grillo 50

M150K ▲ Side-case holder

## Liberty 50 (97 -> 03)

E339 Fitting kit for Monolock top cases

## Liberty 50 quattrotempi (02 -> 04)

E342 Fitting kit for Monolock top cases

107A Wind-screen, with handprotector 50,8 x 66 cm (h. x w.) only for year '04

A107A Specific fitting-kit for 107A only for year '04

## Zip 50

SR52 📦 Specific luggage carrier (top case)

## Fly 50-125 (04 -> 05)

SR104 ⓘ Specific luggage carrier (top case) max loading of the carrier Kg 6

107A Wind-screen, with handprotector 50,8 x 66 cm (h. x w.)

A110A Specific fitting-kit for 107A

## Zip 50-125 (00 -> 02)

SR56 📦 Specific luggage carrier (top case)

## Vespa LX 50-125-150 (05)

SR105 ⓘ Specific luggage carrier (top case) it can be mount the Monolock top-boxes only

104A Wind-screen with hand protector, transparent 51,5 x 69,5 cm (h. x w.)

A104A Specific fitting-kit for 104A

## Beverly 125-200 (01 -> 04)

E341 ⓘ Fitting kit for Monolock top cases max loading of the carrier Kg 6

102A Wind-screen, 66 x 68 cm (h. x w.)

A102A Specific fitting-kit for 102A and 128A from '01 to May '03

105A Wind-screen, with handprotector 66 x 67 cm (h. x w.) from June '03->

A105A Specific fitting-kit for 105A and 128A from June '03->

128A Wind-screen with handprotector, transparent 74 x 67 cm (h. x w.)

## Hexagon 125-150-180-250

SR11 Specific luggage carrier (top case) complete with M2 aluminium plate

SR11M Specific luggage carrier (top case) complete with MM aluminium plate

D226S Specific wind-screen, smoked 58,5 x 46,8 cm (h. x w.)

## Super Hexagon 125-180-250 (01 -> 03)

SR11 Specific luggage carrier (top case) complete with M2 aluminium plate

SR11M Specific luggage carrier (top case) complete with MM aluminium plate

## Skipper 125-150 (99 -> 03)

SR55 📦 Specific luggage carrier (top case)

Specific colour versions: the list of specific colours is at page 11  
▲= Item available until it runs out of stock

ⓘ In order to fit the Monolock boxes use the plate included

📦 In order to fit the Monolock boxes use the plate included; to fit the Monokey cases use the E250 plate (which is sold separately)

CODE	DESCRIPTION (NOTES)
------	---------------------

**Liberty 125-150 (99 -> 01)**

SR53*	Specific luggage carrier (top case)
-------	-------------------------------------

**Liberty 125-151 (02-03)**

SR101	Specific luggage carrier (top case)
-------	-------------------------------------

E342	Fitting kit for Monolock top cases	we ask you to mount it with 30 Ltr cases/max loading of the carrier Kg 3
------	------------------------------------	--

**Liberty 50-125-200 (04)**

SR103	Specific luggage carrier (top case)	can not be mounted on 50cc. version
-------	-------------------------------------	-------------------------------------

107A	Wind-screen, with handprotector 50,8 x 66 cm (h. x w.)
------	--

A107A	Specific fitting-kit for 107A
-------	-------------------------------

E342	Fitting kit for Monolock top cases	we ask you to mount it with 30 Ltr cases/max loading of the carrier Kg 3
------	------------------------------------	--

**Vespa ET2-ET4 125-150 (07/97 -> 02)**

E340	Fitting kit for Monolock top cases
------	------------------------------------

**Vespa 125-200 granturismo (03 -> 05)**

E343	Fitting kit for Monolock top cases
------	------------------------------------

104A	Wind-screen with hand protector, transparent 51,5 x 69,5 cm (h. x w.)
------	---

A104A	Specific fitting-kit for 104A
-------	-------------------------------

**X8 125-200 (04)**

SR102	Specific luggage carrier (top case)	complete with M5 nylon plate
-------	-------------------------------------	------------------------------

SR102M	Specific luggage carrier (top case)	complete with M5M nylon plate
--------	-------------------------------------	-------------------------------

TB102	Specific backrest	can be mounted only with the SR102/SR102M
-------	-------------------	---

TB103	Specific backrest	can not be mounted with the SR102/SR102M
-------	-------------------	--

D500ST	Specific screen, transparent 60 x 80 cm (h. x w.)	20 cm higher than the original wind-screen
--------	---	--

**X9 125-180-250 (00 -> 02)**

SR54	Specific luggage carrier (top case)	complete with M3 nylon plate
------	-------------------------------------	------------------------------

SR54M	Specific luggage carrier (top case)	complete with MM aluminium plate
-------	-------------------------------------	----------------------------------

SR57	Specific luggage carrier (top case)
------	-------------------------------------

TB54	Specific backrest
------	-------------------

D227S	Specific screen, smoked 81,2 x 50,1 cm (h. x w.)	250 cc up to '01 only
-------	--	-----------------------

D227ST	Specific screen, transparent 81,2 x 50,1 cm (h. x w.)	250 cc up to '01 only
--------	---	-----------------------

**Vespa PX 125-150-200**

642F	Specific Monorack arms	can not be mounted on '02 version
------	------------------------	-----------------------------------

**X9 500 (01 - 02)**

SR54	Specific luggage carrier (top case)	complete with M3 nylon plate
------	-------------------------------------	------------------------------

SR54M	Specific luggage carrier (top case)	complete with MM aluminium plate
-------	-------------------------------------	----------------------------------

SR57	Specific luggage carrier (top case)
------	-------------------------------------

TB54	Specific backrest
------	-------------------

**X9 200-250-500 Evolution (03 - 04)**

SR54	Specific luggage carrier (top case)	complete with M3 nylon plate
------	-------------------------------------	------------------------------

SR54M	Specific luggage carrier (top case)	complete with MM aluminium plate
-------	-------------------------------------	----------------------------------

SR57	Specific luggage carrier (top case)
------	-------------------------------------

TB54	Specific backrest
------	-------------------

D229ST	Specific screen with hand protector, transparent 65 x 50 cm (h. x w.)	16 cm higher than the original
--------	---	--------------------------------

CODE	DESCRIPTION (NOTES)	
<b>Beverly 250 - 500 (03 -&gt; 05)</b>		
E341	① Fitting kit for Monolock top cases	only for years '03-'04/max loading of the carrier Kg 6
E344	① Fitting kit for Monolock top cases	only for year '05-'06
105A	Wind-screen, with handprotector 66 x 67 cm (h. x w.)	only for 250 cc
128A	Wind-screen with handprotector, transparent 74 x 67 cm (h. x w.)	only for 250 cc
A108A	Specific fitting-kit for 105A and 128A	
103A	Wind-screen with hand-protector, transparent 43,5 x 70 cm (h. x w.)	only for 500 cc
A103A	Specific fitting-kit for 103A	
106A	Wind-screen with hand-protector, transparent 32,5 x 61,5 cm (h. x w.)	only for 500 cc
A106A	Specific fitting-kit for 106A	
TB104	Specific backrest, black	can not be mounted with the E344/only for years '05-'06

## SYM

### Attila 125 (00-01)

SR98 ▲ 📄 Specific luggage carrier (top case)

### Joyride 125-150 (01-02)

SR99 ▲ 📄 Specific luggage carrier (top case)

### HD 125-200 (05) NEW

105A Wind-screen, with handprotector 66 x 67 cm (h. x w.)

128A Wind-screen with handprotector, transparent 74 x 67 cm (h. x w.)

A290A Specific fitting-kit for 105A and 128A

### Joymax 250 (05) NEW

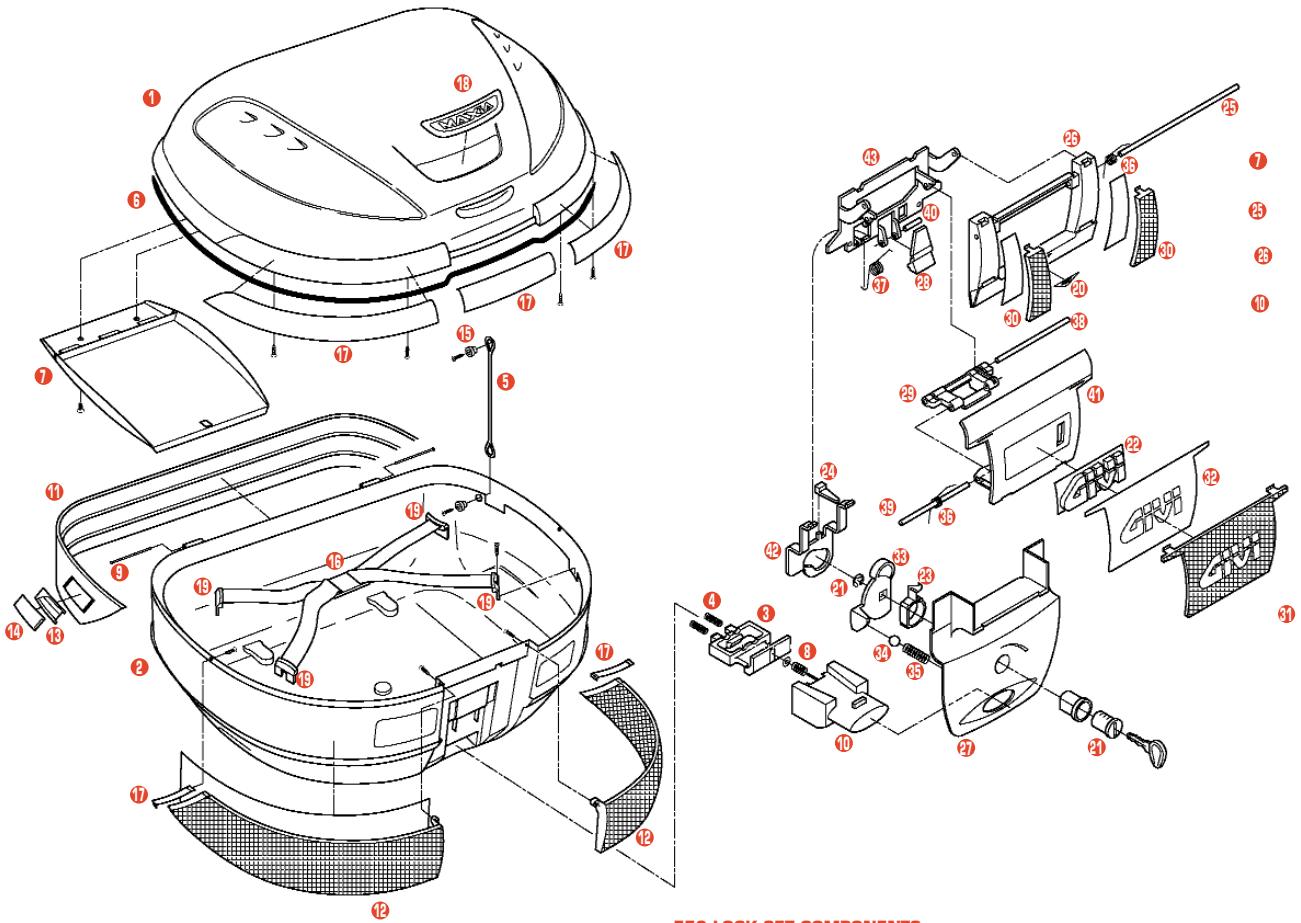
SR230 📄 Specific luggage carrier (top case)

Specific colour versions: the list of specific colours is at page 11  
▲ = Item available until it runs out of stock

① In order to fit the Monolock boxes use the plate included

📄 In order to fit the Monolock boxes use the plate included; to fit the Monokey cases use the E250 plate (which is sold separately)



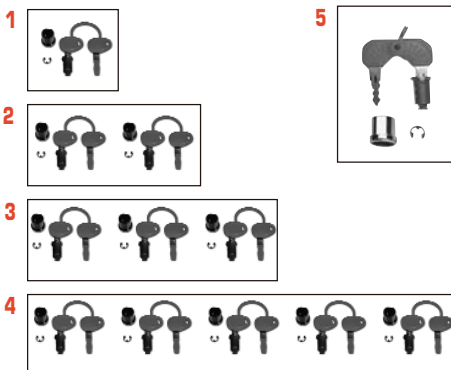


<b>1</b>	<b>Z52CN</b>	E52 top-shell, black
<b>2</b>	<b>Z52FN</b>	E52 bottom-shell, black
<b>3</b>	<b>Z106</b>	Bolt
<b>4</b>	<b>Z109</b>	Long bolt springs
<b>5</b>	<b>Z115R</b>	Stop bag opening yarn
<b>6</b>	<b>Z159R</b>	Bag lock lining
<b>7</b>	<b>Z160</b>	Inner document holder
<b>8</b>	<b>Z1237</b>	Push button spring with washer
<b>9</b>	<b>Z590R</b>	Pin medium size 66 mm
<b>10</b>	<b>Z206</b>	Push button PRESS
<b>11</b>	<b>Z218N</b>	Black rear bend
<b>11</b>	<b>Z218VS</b>	Grey rear bend
<b>12</b>	<b>Z223</b>	Red reflector
<b>13</b>	<b>Z276</b>	Name holder
<b>14</b>	<b>Z286</b>	Glass for small name plate
<b>15</b>	<b>Z339</b>	Red pulley
<b>16</b>	<b>Z633</b>	Spare elastic belt
<b>17</b>	<b>Z684C</b>	Satined trim (5 pcs..)
<b>17</b>	<b>Z684CRC</b>	Chromed trim (5 pcs..)
<b>18</b>	<b>Z129</b>	MAXIA sticker (on top-shell)
<b>19</b>	<b>Z338</b>	Pass belt
	<b>Z682N</b>	Lock set E52

**E52 LOCK SET COMPONENTS**

<b>20</b>	<b>Z127</b>	Press plate mm 34,4x10,6
<b>21</b>	<b>Z661</b>	Key for case lock
<b>22</b>	<b>Z229</b>	Chromed GIVI brand for E52
<b>23</b>	<b>Z234A</b>	Acetalic latch (A) for E52
<b>24</b>	<b>Z234B</b>	Acetalic latch (B) for E52
<b>25</b>	<b>Z297</b>	140 mm pin for MAXIA
<b>26</b>	<b>Z367N</b>	Black handle for MAXIA E52
<b>27</b>	<b>Z368N</b>	Bottom black hinge for E52 with serigraphy
<b>28</b>	<b>Z611</b>	Black nylon botton for E52
<b>29</b>	<b>Z612N</b>	Black nylon rod for E52
<b>30</b>	<b>Z616</b>	Reflecting red plate for E52
<b>31</b>	<b>Z617</b>	Upper reflecting red plate for E52
<b>32</b>	<b>Z626</b>	E52 white screen for central handle
<b>33</b>	<b>Z628</b>	Black lock plate
<b>34</b>	<b>Z630</b>	Steel spheres D. 6
<b>35</b>	<b>Z631</b>	Zinc-plated cylindric steel spring for E52
<b>36</b>	<b>Z632R</b>	Steel torsion spring for E52
<b>37</b>	<b>Z634</b>	Steel spring for rod for E52
<b>38</b>	<b>Z721R</b>	Pin D. 04x85 mm
<b>39</b>	<b>Z195</b>	Pin D. 04x80 mm
<b>40</b>	<b>Z723</b>	Pin D. 04x23 mm
<b>41</b>	<b>Z613N</b>	E52 upper part lock set, black
<b>42</b>	<b>Z133</b>	Steel sliding plate
<b>43</b>	<b>Z134</b>	Handle plate

**LIST OF SPARE KEYS DIVIDED PER MODEL OF CASE**



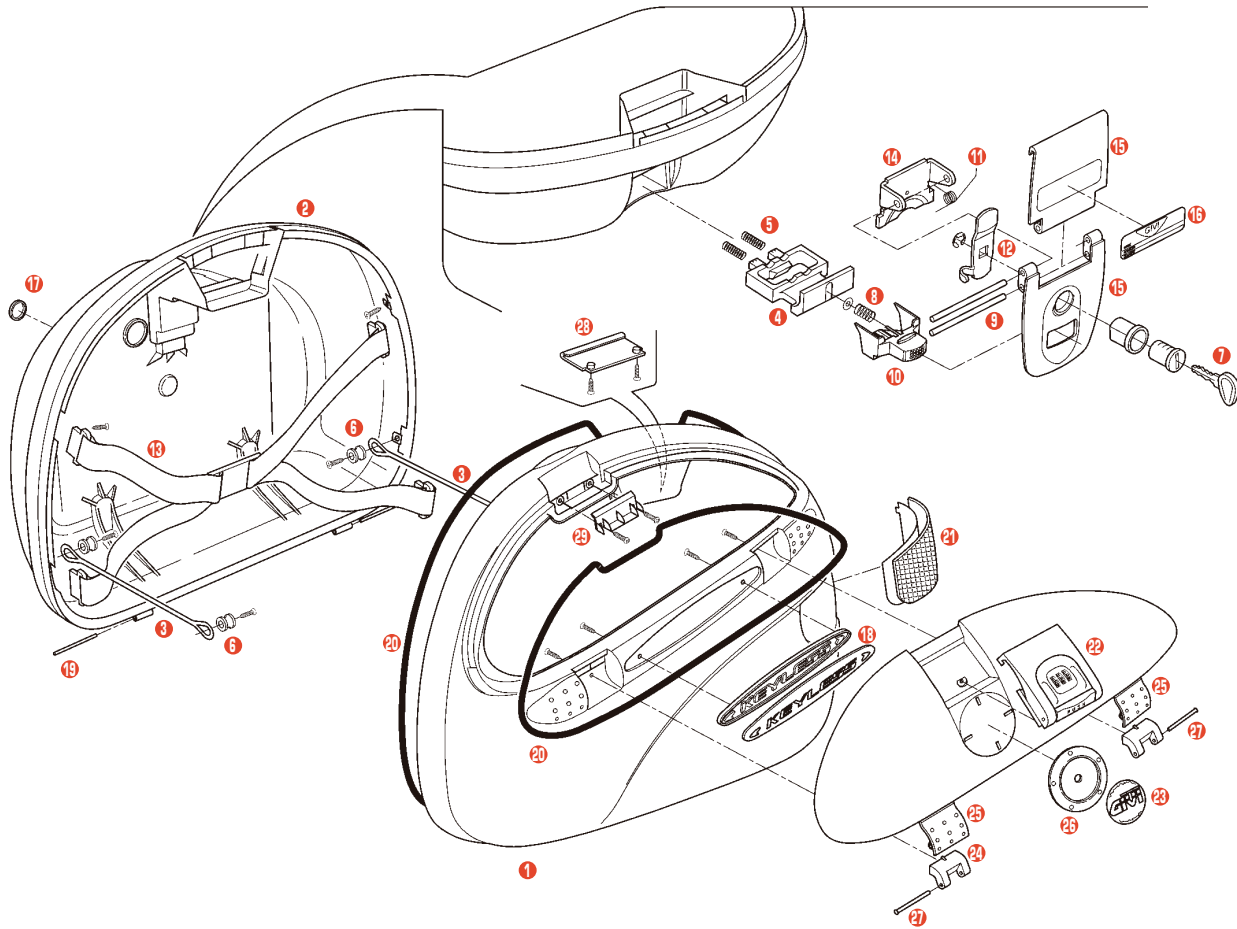
**SUITABLE FOR ALL CASE MODELS, SAVE V46 AND E52**

<b>1</b>	<b>Z140R</b>	Key lock with bush, 1 pc
<b>2</b>	<b>Z227</b>	Key lock with bush, 2 pcs
<b>3</b>	<b>Z228</b>	Key lock with bush, 3 pcs
<b>THIS SET CAN ALSO BE USED WITH THE E52 AND V46 CASES.</b>		
<b>4</b>	<b>Z1382</b>	Key lock with bush, 5 pcs

**SUITABLE FOR MODELS V46 AND E52**

<b>5</b>	<b>Z661</b>	Key lock with chrome bush
----------	-------------	---------------------------

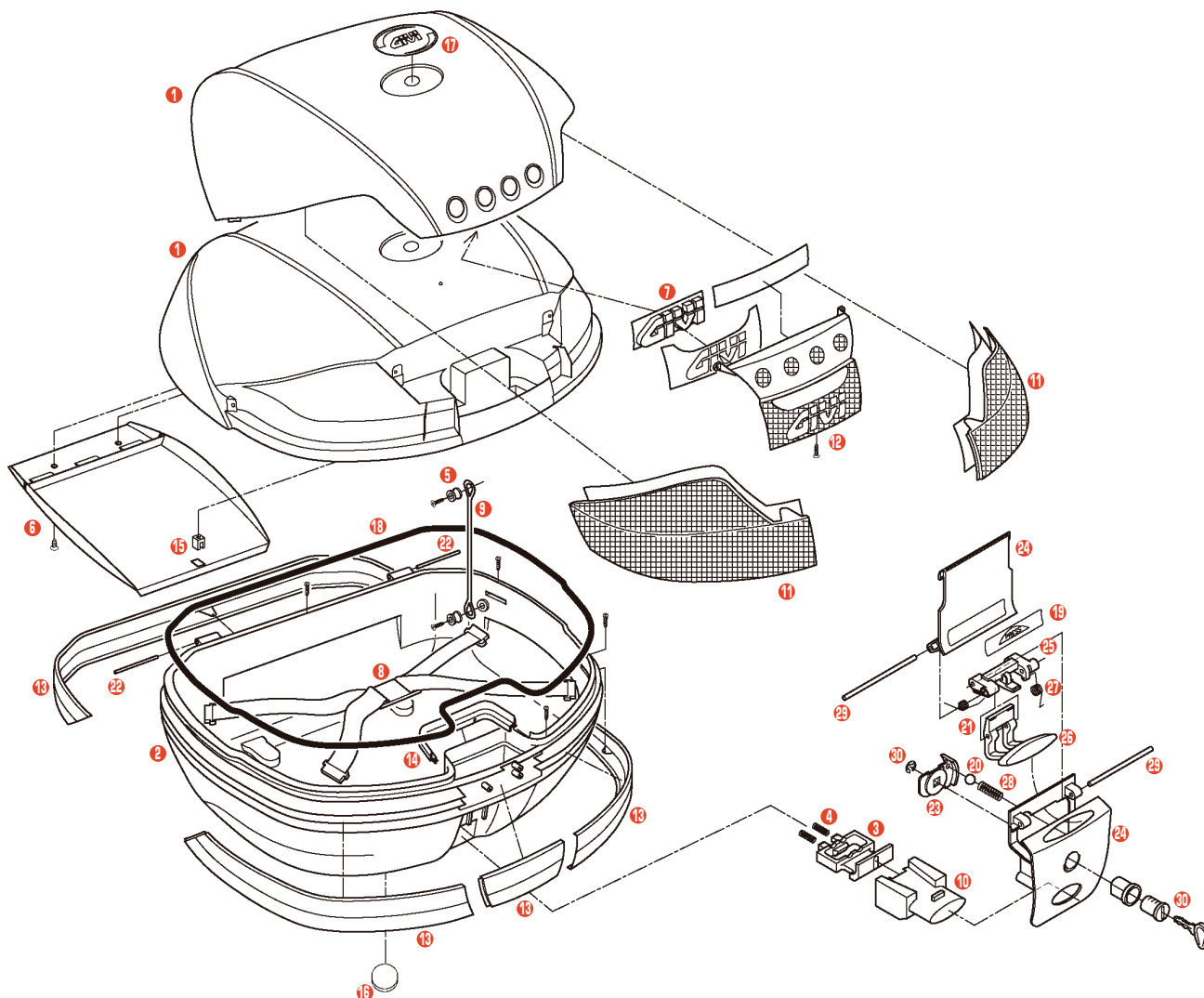




<b>1</b>	<b>Z41CDXSM</b>	E41 Top- shell right, black
<b>1</b>	<b>Z41CSXSM</b>	E41 Top- shell left, black
<b>2</b>	<b>Z41FN</b>	E41 bottom shell, black
<b>3</b>	<b>Z599</b>	Nylon stop bag opening yarn for E41
<b>4</b>	<b>Z106</b>	Bolt
<b>5</b>	<b>Z109</b>	Long bolt springs
<b>6</b>	<b>Z112R</b>	Red pulley
<b>7</b>	<b>Z140R</b>	Lock key
<b>8</b>	<b>Z1237</b>	Push button spring with washer
<b>9</b>	<b>Z195</b>	Hinge pin 78 mm
<b>10</b>	<b>Z217</b>	Top case push botton
<b>11</b>	<b>Z236</b>	Hinge spring
<b>12</b>	<b>Z277</b>	Plate below lock
<b>13</b>	<b>Z285</b>	Inner elastic belt

<b>14</b>	<b>Z312</b>	Hinge plate
<b>15</b>	<b>Z314N</b>	Hinge black
<b>16</b>	<b>Z405</b>	Name holder
<b>17</b>	<b>Z1235</b>	Injection covering cap
<b>18</b>	<b>Z548</b>	KEYLESS logo
<b>19</b>	<b>Z590R</b>	Pin dacromet 64 mm
<b>20</b>	<b>Z726</b>	Black lock lining
<b>21</b>	<b>Z533 * *</b>	Blinker Keyless (specify right or left) [1 piece]
<b>22</b>	<b>Z148M</b>	Mounted hinge (including combination)
<b>23</b>	<b>Z200</b>	GMI logo Monokey
<b>24</b>	<b>Z539</b>	Red hooks to fix the lid, 1 pcs
<b>25</b>	<b>Z544 (dx, sx)</b>	Caps, 4 pcs
<b>26</b>	<b>Z545</b>	Keyless round medal chromed
<b>27</b>	<b>Z592</b>	41mm pin to fix the lid
<b>28</b>	<b>Z1239</b>	Hinge plate in nylon
<b>29</b>	<b>Z1238</b>	Nylon tooth catch mechanism

\* \* ITEM OUT OF STOCK



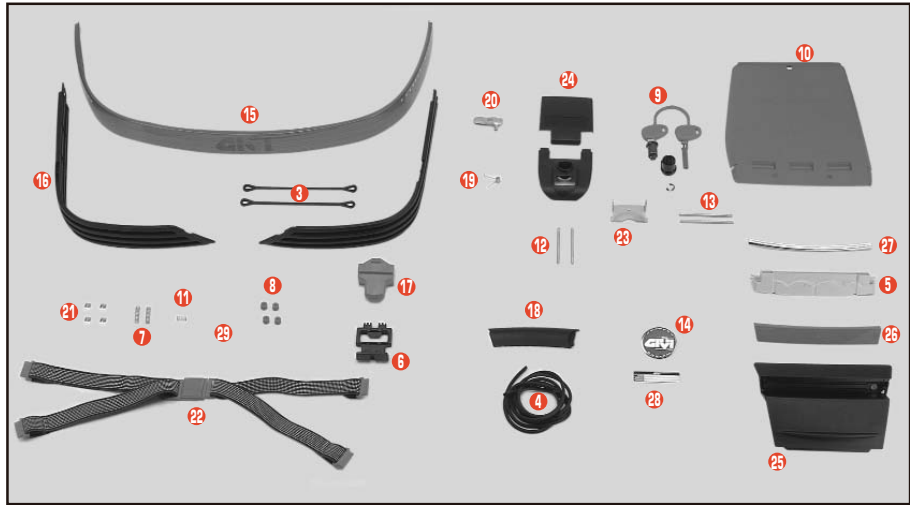
<b>1</b>	<b>Z46CNM</b>	V46 top-shell with cover, black
<b>2</b>	<b>Z46FNM</b>	V46 bottom-shell, black
<b>3</b>	<b>Z106</b>	Bolt
<b>4</b>	<b>Z109</b>	Long bolt springs
<b>5</b>	<b>Z112R</b>	Red pulley
<b>6</b>	<b>Z160</b>	Inner document holder
<b>7</b>	<b>Z229</b>	Chromed GIVI brand
<b>8</b>	<b>Z285</b>	Inner elastic belt
<b>9</b>	<b>Z599</b>	Nylon stop bag opening yarn
<b>10</b>	<b>Z645</b>	Push button red
<b>11</b>	<b>Z731</b>	Top case reflector (right and left)
<b>12</b>	<b>Z732</b>	Central top case reflector
<b>13</b>	<b>Z734SET</b>	Central bend, rear bend and bend right and left for V46, ABS silver A900
<b>14</b>	<b>Z737N</b>	Black handle
<b>15</b>	<b>Z741</b>	Hook for fixing the document holder
<b>16</b>	<b>Z809*</b>	Black cap for covering moulding injection point

<b>17</b>	<b>ZV45</b>	V46 Logo
<b>18</b>	<b>Z769</b>	Black lock lining
	<b>Z641NM2</b>	Lock set V46

#### V46 LOCK SET COMPONENTS

<b>19</b>	<b>Z409R</b>	Name holder
<b>20</b>	<b>Z630</b>	Steel spheres D. 6
<b>21</b>	<b>Z632R</b>	Steel torsion spring
<b>22</b>	<b>Z637R</b>	Pin D. 04x75 mm, (1 piece)
<b>23</b>	<b>Z640R</b>	Plate below lock set
<b>24</b>	<b>Z641NR</b>	Hinge black
<b>25</b>	<b>Z643R</b>	Lock set element red
<b>26</b>	<b>Z644R</b>	Opening push button
<b>27</b>	<b>Z647R</b>	Torsion spring
<b>28</b>	<b>Z648</b>	Cylinder spring
<b>29</b>	<b>Z721R</b>	Pin D. 04x85 mm
<b>30</b>	<b>Z661</b>	Key for case lock

\* \*ITEM OUT OF STOCK

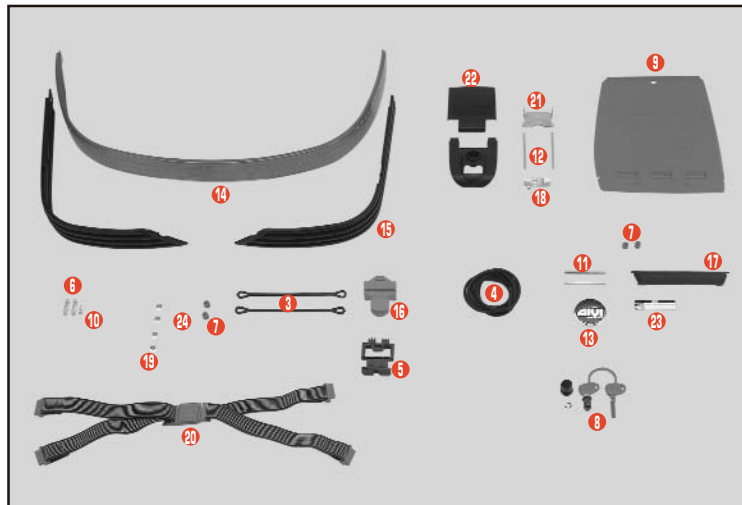


- 1 **Z460CN** E460 top-shell black
- 2 **Z360FN** E460 bottom-shell black
- 3 **Z115R** Stop bag opening yarn Nylon
- 4 **Z159R** Bag lock lining
- 5 **Z828** Stop lamp holder
- 6 **Z106** Bolt
- 7 **Z109** Long bolt springs
- 8 **Z112R** Red pulley
- 9 **Z140R** Lock key
- 10 **Z160** Inner document holder
- 11 **Z1237** Push button spring with washer
- 12 **Z194\* \*** Pin medium size 66 mm
- 13 **Z195** Hinge pin 78 mm
- 14 **Z200** GIVI logo Monokey
- 15 **Z214** Top-case reflector

- 16 **Z215N** Rear band black
- 17 **Z217** Top-case push button
- 18 **Z220N ▲** Handle cover black
- 19 **Z236** Hinge spring
- 20 **Z277** Plate below lock
- 21 **Z280** Rear band plate
- 22 **Z285** Spare elastic belt
- 23 **Z312** Hinge plate
- 24 **Z314N** Hinge black
- 25 **Z829** Light holder (black)
- 26 **Z827** Top-case reflector
- 27 **Z362** Light seat chromed
- 28 **Z405** Name holder
- Z358** Circuit with lamps for version with stop light already mounted
- Z155** Pass belt

\* \*ITEM OUT OF STOCK

E 3 6 0



- 1 **Z360CN** E360 top-shell black
- 2 **Z360FN** E360 bottom-shell black
- 3 **Z115R** Stop bag opening yarn nylon
- 4 **Z159R** Bag lock lining
- 5 **Z106** Bolt
- 6 **Z109** Long bolt springs
- 7 **Z112R** Red pulley
- 8 **Z140R** Lock key
- 9 **Z160** Inner document holder
- 10 **Z1237** Push button spring with washer
- 11 **Z194\* \*** Pin medium size 66 mm
- 12 **Z195** Hinge pin 78 mm
- 13 **Z200** GIVI logo Monokey
- 14 **Z214** Top-case reflector
- 15 **Z215N** Rear band black
- 16 **Z217** Top-case push button

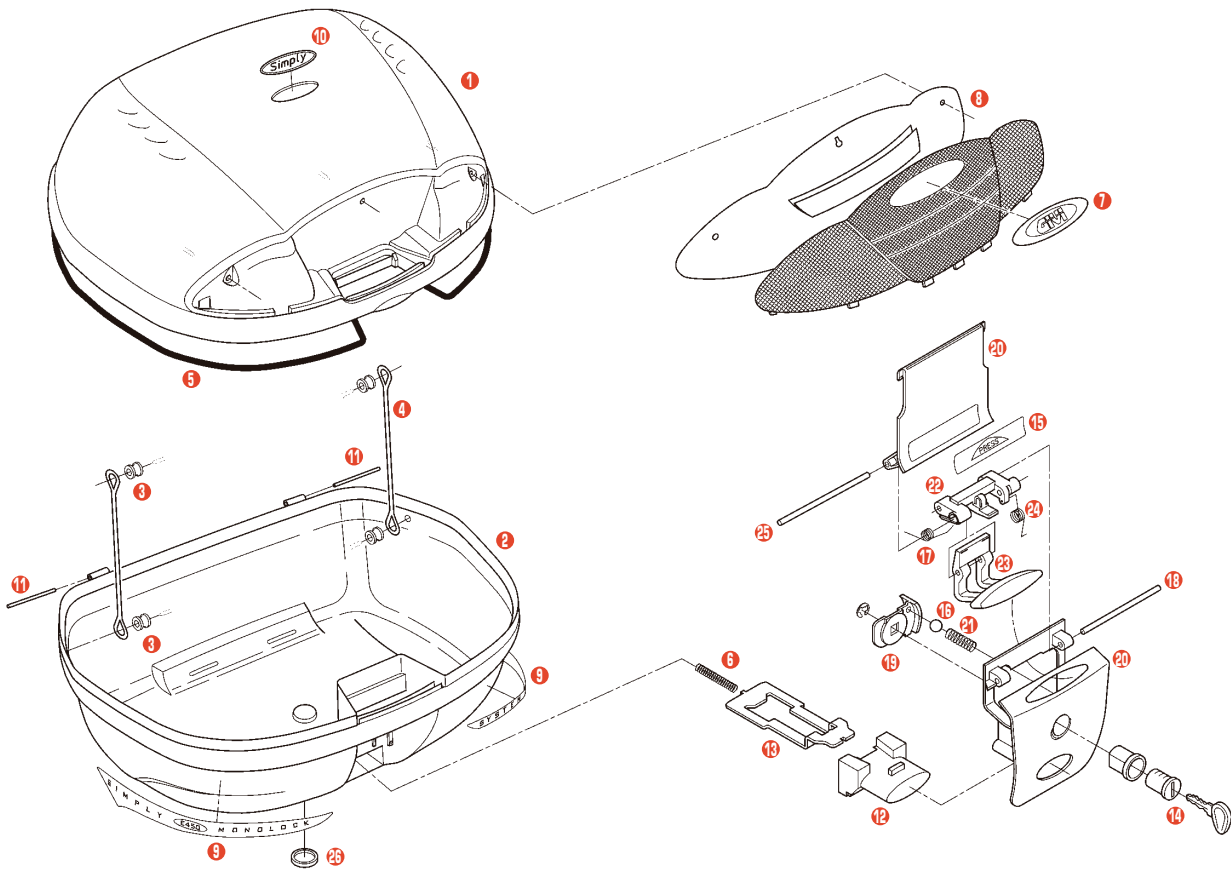
- 17 **Z220N ▲** Handle cover black
- 18 **Z277** Plate below lock
- 19 **Z280** Rear band plate
- 20 **Z285** Spare elastic belt
- 21 **Z312** Hinge plate
- 22 **Z314N** Hinge black
- 23 **Z405** Name holder
- Z155** Pass belt

\* \*ITEM OUT OF STOCK



<b>1</b>	<b>Z21CNDXM</b>	E21 top-shell black (specify right or left)
	<b>Z21CNDXCM</b>	E21 top-shell black custom (specify right or left)
<b>2</b>	<b>Z21FN</b>	E21 bottom-shell black
	<b>Z21FNC</b>	E21 bottom-shell black custom
<b>3</b>	<b>Z109</b>	Long bolt springs
<b>4</b>	<b>Z159R</b>	Bag lock lining
<b>5</b>	<b>Z200</b>	GIVI logo Monokey
<b>6</b>	<b>Z200C</b>	GIVI Monokey logo chromed
<b>7</b>	<b>Z325</b>	Pannier opening sticker
<b>8</b>	<b>Z363</b>	Chromed decoration (specify right or left)
<b>9</b>	<b>Z387</b>	Bolt
<b>10</b>	<b>Z388</b>	Top-case push button
<b>11</b>	<b>Z389</b>	Complete key lock plate
<b>12</b>	<b>Z390</b>	Pin D, 02x60 mm E21
<b>13</b>	<b>Z605</b>	Handle

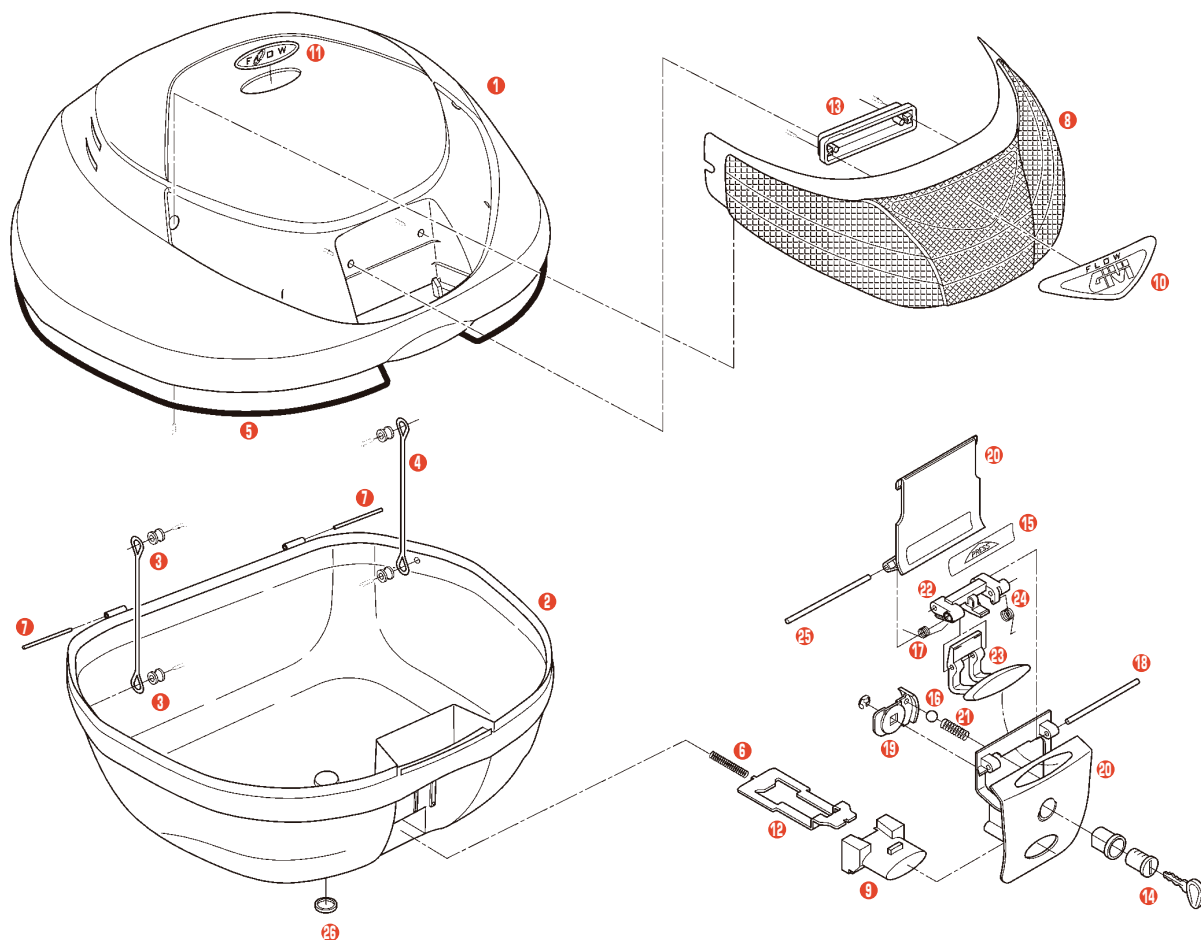
<b>14</b>	<b>Z606</b>	Handle mounting set black
<b>15</b>	<b>Z804</b>	Key lock cover red
<b>16</b>	<b>Z831</b>	Push button spring
<b>17</b>	<b>Z140R</b>	Lock key



<b>1</b>	<b>Z450CN</b>	E450 top-shell black
<b>2</b>	<b>Z450FN</b>	E450 bottom-shell black
<b>3</b>	<b>Z112R</b>	Red pulley
<b>4</b>	<b>Z115R</b>	Stop bag opening yarn
<b>5</b>	<b>Z159R</b>	Bag lock lining
<b>6</b>	<b>Z191R</b>	Push button spring
<b>7</b>	<b>Z451</b>	Oval GIVI mark (reflector)
<b>8</b>	<b>Z1234</b>	Reflector for E450 with white background
<b>9</b>	<b>Z457</b>	Couple of SIMPLY stickers DX/SX
<b>10</b>	<b>Z458R</b>	Chromed oval GIVI mark (top-shell)
<b>11</b>	<b>Z590R</b>	Pin dacromet 64 mm
<b>12</b>	<b>Z645</b>	Push button red E450
<b>13</b>	<b>Z762</b>	Bolt
	<b>Z358</b>	Circuit with lamps for version with stop light already mounted
	<b>Z641NM</b>	Lock set

**E450 LOCK SET COMPONENTS**

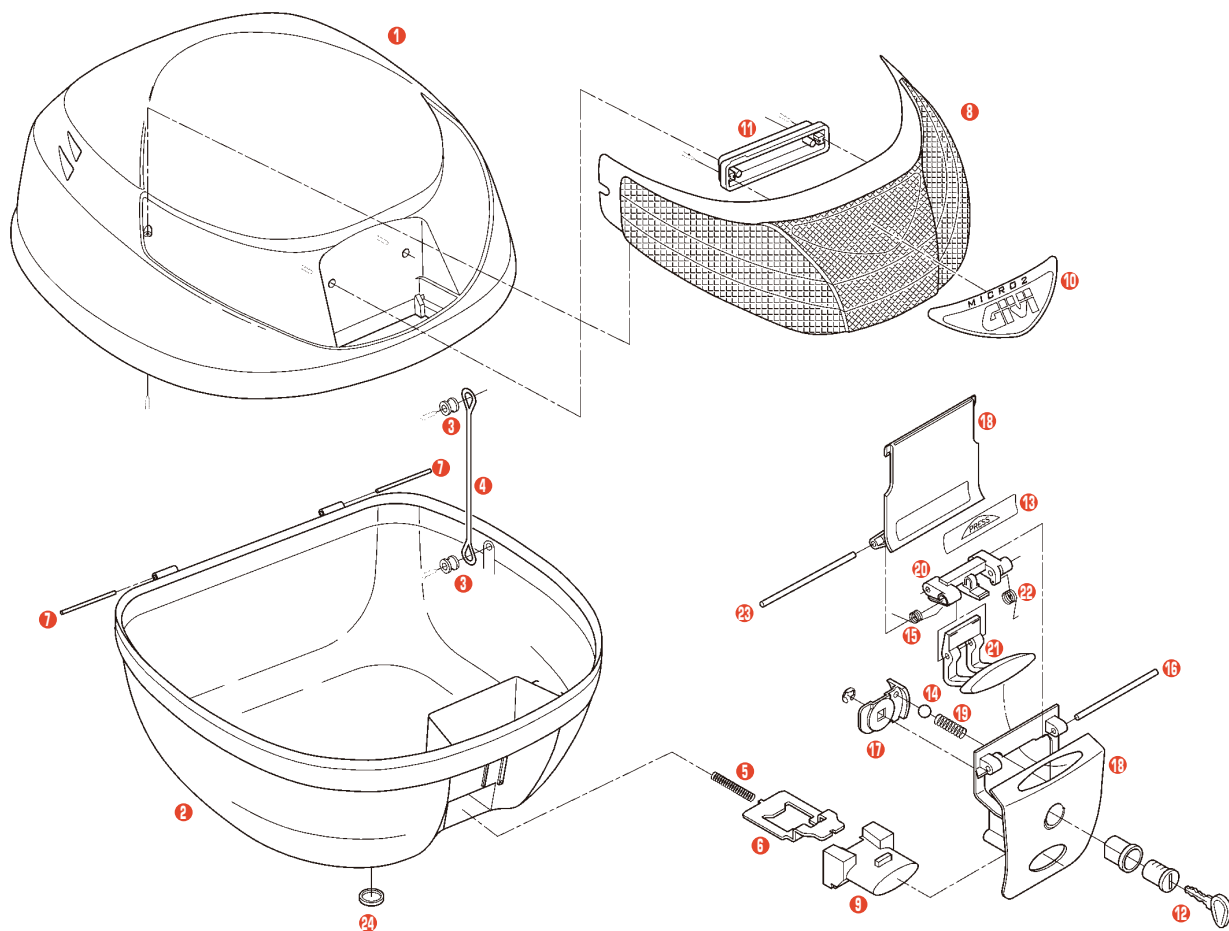
<b>14</b>	<b>Z140R</b>	Lock key
<b>15</b>	<b>Z409R</b>	Name holder
<b>16</b>	<b>Z630</b>	Steel spheres D. 6
<b>17</b>	<b>Z632R</b>	Torsion spring
<b>18</b>	<b>Z637R</b>	Pin D. 04x75 mm
<b>19</b>	<b>Z640R</b>	Plate below lock
<b>20</b>	<b>Z641NR</b>	Hinge black
<b>21</b>	<b>Z648</b>	Cylinder spring
<b>22</b>	<b>Z643R</b>	Lock set element red
<b>23</b>	<b>Z644R</b>	Opening push button
<b>24</b>	<b>Z647R</b>	Torsion spring
<b>25</b>	<b>Z721R</b>	Pin D. 04x85 mm
<b>26</b>	<b>Z1235</b>	Injection covering cap



<b>1</b>	<b>Z350CN</b>	E350 top-shell black
<b>2</b>	<b>Z350FN</b>	E350 bottom-shell black
<b>3</b>	<b>Z112R</b>	Red pulley
<b>4</b>	<b>Z115R</b>	Stop bag opening yarn
<b>5</b>	<b>Z159R</b>	Bag lock lining
<b>6</b>	<b>Z191R</b>	Push button spring
<b>7</b>	<b>Z635R</b>	Pin D. 04x48 mm
<b>8</b>	<b>Z1236</b>	Reflector for E350 with white background
<b>9</b>	<b>Z645</b>	Push button red E350
<b>10</b>	<b>Z757</b>	GIVI Flow logo, triangle
<b>11</b>	<b>Z758</b>	Oval GIVI logo Flow
<b>12</b>	<b>Z761</b>	E350 bolt
<b>13</b>	<b>Z846R</b>	Circuit covering cap
	<b>Z641NM</b>	Lock set

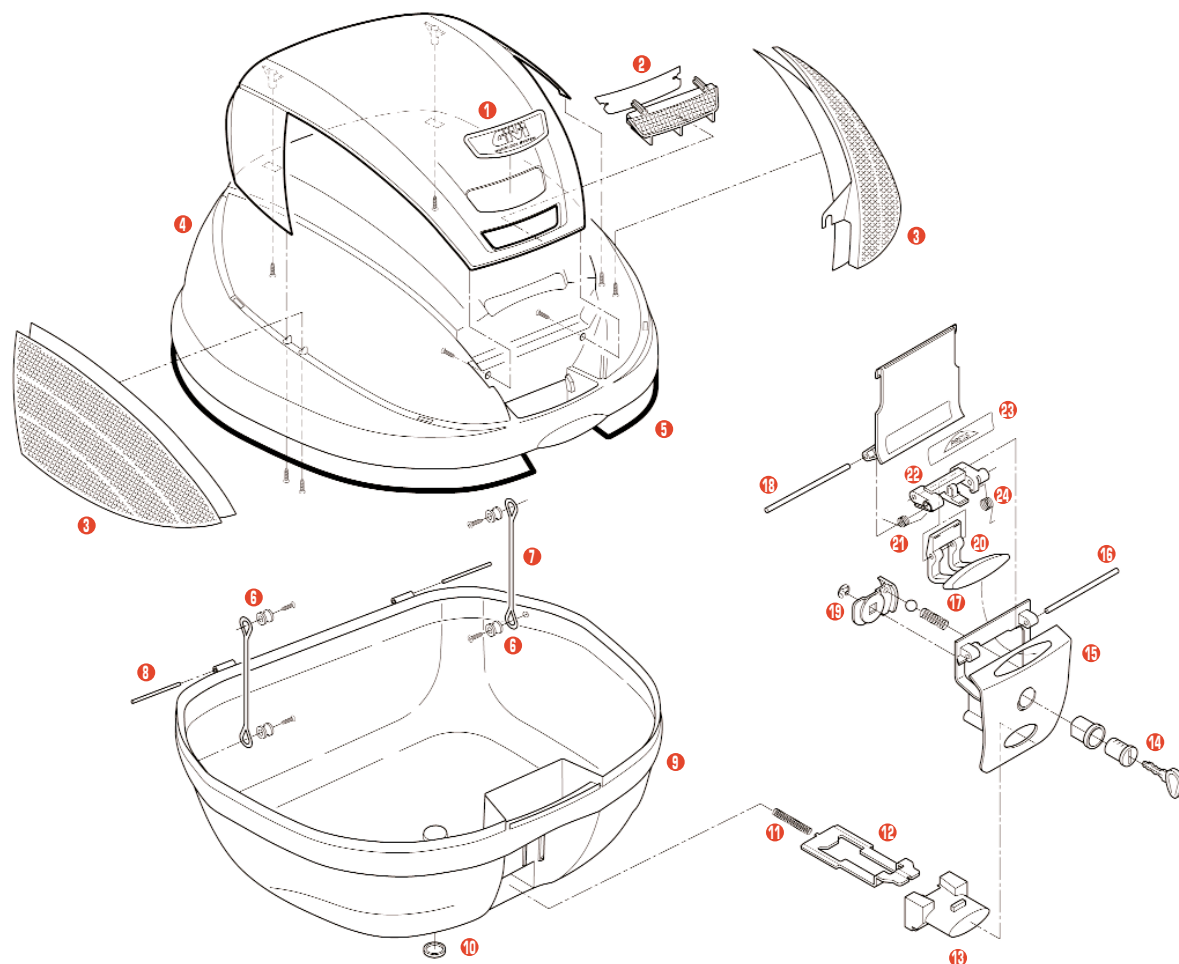
#### E350 LOCK SET COMPONENTS

<b>14</b>	<b>Z140R</b>	Lock key
<b>15</b>	<b>Z409R</b>	Name holder
<b>16</b>	<b>Z630</b>	Steel spheres D. 6
<b>17</b>	<b>Z632R</b>	Torsion spring
<b>18</b>	<b>Z637R</b>	Pin D. 04x75 mm
<b>19</b>	<b>Z640R</b>	Plate below lock
<b>20</b>	<b>Z641NR</b>	Hinge black
<b>21</b>	<b>Z648</b>	Cylinder spring
<b>22</b>	<b>Z643R</b>	Lock set element red
<b>23</b>	<b>Z644R</b>	Opening push button
<b>24</b>	<b>Z647R</b>	Torsion spring
<b>25</b>	<b>Z721R</b>	Pin D. 04x85 mm
<b>26</b>	<b>Z1235</b>	Injection covering cap



<b>1</b>	<b>Z260CN</b>	E260 Micro 2 top-shell black
<b>2</b>	<b>Z260FN</b>	E260 Micro 2 bottom-shell black
<b>3</b>	<b>Z112R</b>	Red pulley
<b>4</b>	<b>Z115R</b>	Stop bag opening yarn
<b>5</b>	<b>Z191R</b>	Push botton spring
<b>6</b>	<b>Z310</b>	Bolt
<b>7</b>	<b>Z635R</b>	Pin D. 04x48 mm
<b>8</b>	<b>Z1236</b>	Reflector Micro 2 E260
<b>9</b>	<b>Z645</b>	Push botton red E260
<b>10</b>	<b>Z649</b>	Micro 2 GIVI mark
<b>11</b>	<b>Z846R</b>	Circuit cover
	<b>Z641NM</b>	Hinge black

<b>E260 COMPONENT LOCK SET</b>		
<b>12</b>	<b>Z140R</b>	Lock key
<b>13</b>	<b>Z409R</b>	Name holder
<b>14</b>	<b>Z630</b>	Steel spheres D. 6
<b>15</b>	<b>Z632R</b>	Torsion spring
<b>16</b>	<b>Z637R</b>	Pin D. 04x75 mm
<b>17</b>	<b>Z640R</b>	Plate below lock set
<b>18</b>	<b>Z641NR</b>	Hinge black
<b>19</b>	<b>Z648</b>	Cylinder spring
<b>20</b>	<b>Z643R</b>	Lock set element red
<b>21</b>	<b>Z644R</b>	Opening push botton
<b>22</b>	<b>Z647R</b>	Torsion spring
<b>23</b>	<b>Z721R</b>	Pin D. 04x85 mm
<b>24</b>	<b>Z1235</b>	Injection covering cap



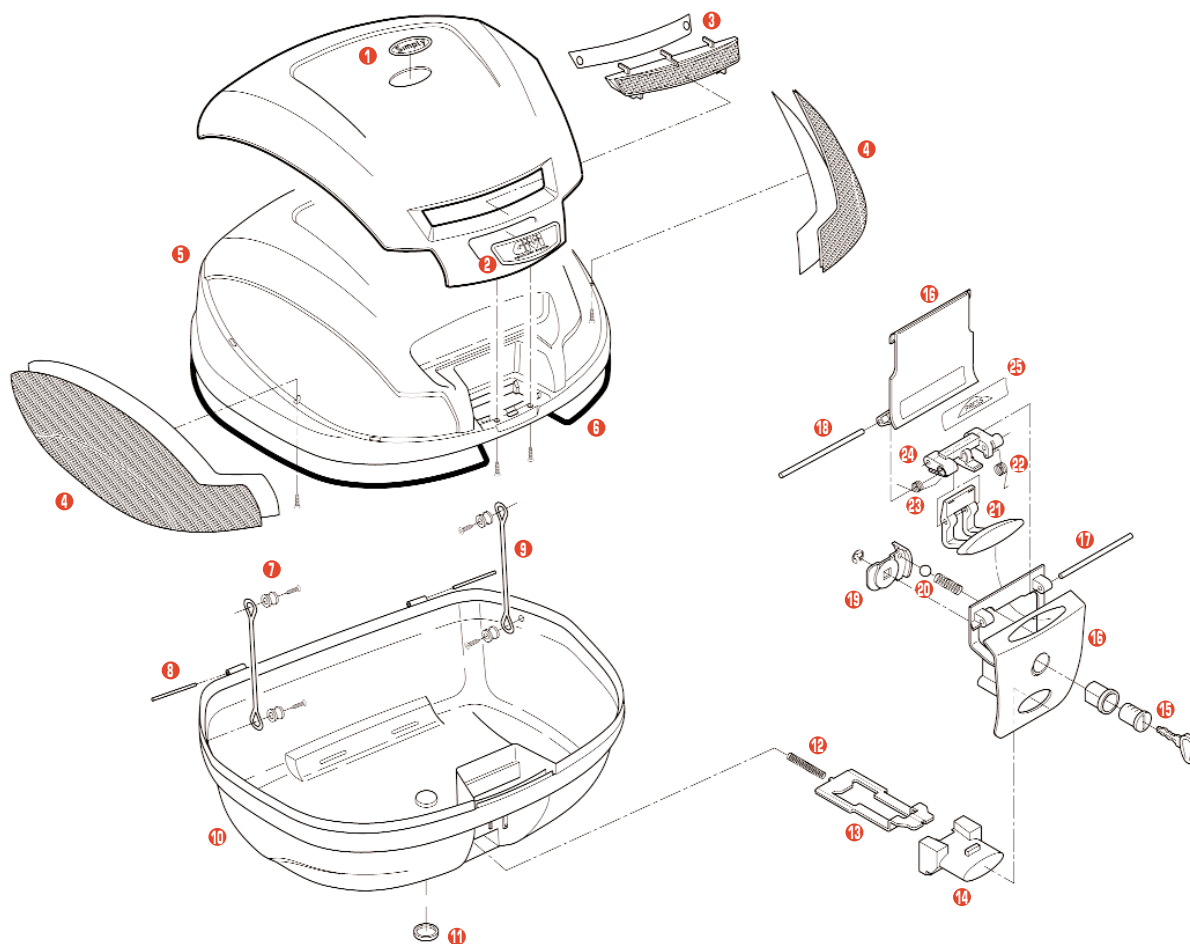
1	<b>Z1294R</b>	E370 GIVI logo, 1 pc
2	<b>Z750R</b>	Top case reflector, 1 kit
3	<b>Z1383R</b>	Top case reflectors (right and left), 1 kit
4	<b>Z370CNR</b>	E370 top-shell black, 1 pc
5	<b>Z159R</b>	Bag lock lining, 1 pc
6	<b>Z112R</b>	Red pulley, 4 pcs
7	<b>Z115R</b>	Stop bag opening yarn, 2 pcs
8	<b>Z635R</b>	Pin D. 04x48 mm, 2 pcs
9	<b>Z350FN</b>	E370 bottom-shell black, 1 pc
10	<b>Z1235</b>	Injection covering cap, 1 pc
11	<b>Z191R</b>	Push button spring, 1 pc
12	<b>Z761NR</b>	E370 bolt, 1 pc
13	<b>Z645R</b>	Push button red E370, 1 pc
14	<b>Z140R</b>	Lock key, 1 pc
15	<b>Z641NR</b>	Hinge black, 1 kit
16	<b>Z637R</b>	Pin D. 04x75 mm, 1 pc

17	<b>Z1384R</b>	Cylinder spring and steel spheres, 1 pc
18	<b>Z721R</b>	Pin D. 04x85 mm, 1 pc
19	<b>Z640R</b>	Plate below lock set, 1 pc
20	<b>Z644R</b>	Opening push button, 1 pc
21	<b>Z632R</b>	Steel torsion spring for E370, 1 pc
22	<b>Z643R</b>	Lock set element red, 1 pc
23	<b>Z409R</b>	Name holder, 1 pc
24	<b>Z647R</b>	Torsion spring, 1 pc
	<b>Z846R</b>	Circuit covering cap, 1 pc

**PRE-ASSEMBLED SPARE PART LIST E370 (NOT SHOWN)**

	<b>Z350FN</b>	E370 assembled bottom-shell black
	<b>Z370CNR</b>	E370 assembled top-shell black
	<b>Z641NM</b>	Lock set





<b>1</b>	<b>Z458R</b>	E470 oval logo, 1 pc
<b>2</b>	<b>Z1294R</b>	E470 GIVI logo, 1 pc
<b>3</b>	<b>Z744R</b>	Top case reflector, 1 pc
<b>4</b>	<b>Z1394R</b>	Top case reflectors (right and left), 1 pc
<b>5</b>	<b>Z470CNR</b>	E470 top-shell black, 1 pc
<b>6</b>	<b>Z159R</b>	Bag lock lining, 1 pc
<b>7</b>	<b>Z112R</b>	Red pulley, 4 pcs
<b>8</b>	<b>Z635R</b>	Pin D. 04x48 mm, 2 pcs
<b>9</b>	<b>Z115R</b>	Stop bag opening yarn, 2 pcs
<b>10</b>	<b>Z450FN</b>	E470 bottom-shell black, 1 pc
<b>11</b>	<b>Z1235</b>	Injection covering cap, 1 pc
<b>12</b>	<b>Z191R</b>	Push button spring, 1 pc
<b>13</b>	<b>Z762NR</b>	E470 bolt, 1 pc
<b>14</b>	<b>Z645R</b>	Push button red E470, 1 pc
<b>15</b>	<b>Z140R</b>	Lock key, 1 pc
<b>16</b>	<b>Z641NR</b>	Hinge black, 1 kit

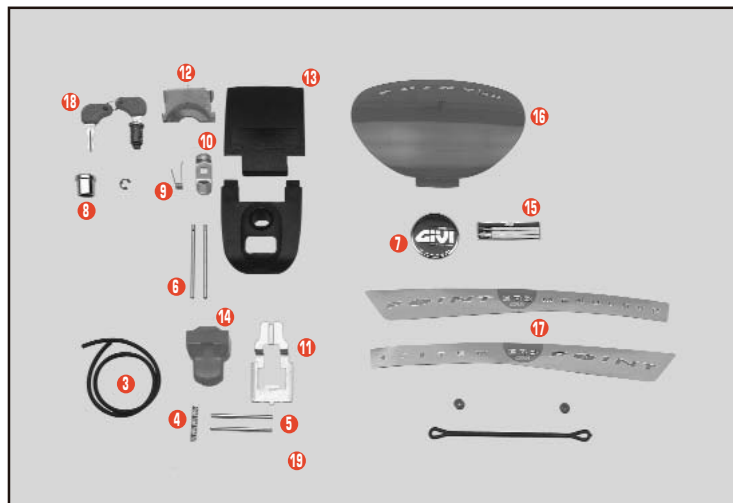
<b>17</b>	<b>Z637R</b>	Pin D. 04x75 mm, 1 pc
<b>18</b>	<b>Z721R</b>	Pin D. 04x85 mm, 1 pc
<b>19</b>	<b>Z640R</b>	Plate below lock set, 1 pc
<b>20</b>	<b>Z1384R</b>	Cylinder spring and steel spheres, 1 kit
<b>21</b>	<b>Z644R</b>	Opening push button, 1 pc
<b>22</b>	<b>Z647R</b>	Torsion spring, 1 pc
<b>23</b>	<b>Z632R</b>	Steel torsion spring for E470, 1 pc
<b>24</b>	<b>Z643R</b>	Lock set element red, 1 pc
<b>25</b>	<b>Z409R</b>	Name holder, 1 pc

**PRE-ASSEMBLED SPARE PART LIST E470 (NOT SHOWN)**

<b>Z450FN</b>	E470 assembled bottom-shell black
<b>Z470CNMR</b>	E470 assembled top-shell black
<b>Z641NM</b>	Lock set



- |                 |                             |
|-----------------|-----------------------------|
| <b>1 Z33CN</b>  | E33 top-shell black         |
| <b>2 Z33FN</b>  | E33 bottom-shell black      |
| <b>3 Z159R</b>  | Bag lock lining             |
| <b>4 Z191R</b>  | Push button spring          |
| <b>5 Z193</b>   | Hinge pin 62 mm             |
| <b>6 Z195</b>   | Hinge pin 78 mm             |
| <b>7 Z200N</b>  | GIVI logo                   |
| <b>8 Z210</b>   | Chrome bushing for lock set |
| <b>9 Z236</b>   | Hinge spring                |
| <b>10 Z243</b>  | Key lock plate              |
| <b>11 Z310</b>  | Bolt                        |
| <b>12 Z312</b>  | Hinge plate                 |
| <b>13 Z314N</b> | Hinge black                 |
| <b>14 Z315</b>  | Top-case push button        |
| <b>15 Z405</b>  | Name holder                 |
| <b>16 Z845</b>  | Top-case reflector          |



- |                 |                                 |
|-----------------|---------------------------------|
| <b>17 Z850</b>  | Sticker set for E33 Point DX/SX |
| <b>18 Z140R</b> | Lock key                        |
| <b>19 Z112R</b> | Red pulley                      |
| <b>20 Z115R</b> | Stop bag opening yarn           |

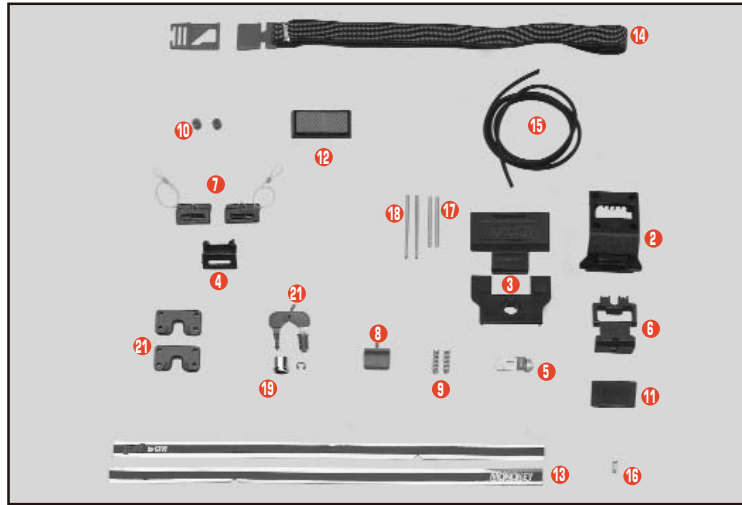
## E 3 0 T O U R



- |                 |                             |
|-----------------|-----------------------------|
| <b>1 Z30CN</b>  | E30 top-shell black         |
| <b>2 Z29FN</b>  | E29 bottom-shell black      |
| <b>3 Z112R</b>  | Red pulley                  |
| <b>4 Z115R</b>  | Stop bag opening yarn       |
| <b>5 Z140R</b>  | Lock key                    |
| <b>6 Z191R</b>  | Push button spring          |
| <b>7 Z193</b>   | Hinge pin 62 mm             |
| <b>8 Z195</b>   | Hinge pin 78 mm             |
| <b>9 Z200N</b>  | GIVI logo                   |
| <b>10 Z210</b>  | Chrome bushing for lock set |
| <b>11 Z236</b>  | Hinge spring                |
| <b>12 Z243</b>  | Key lock plate              |
| <b>13 Z310</b>  | Bolt                        |
| <b>14 Z312</b>  | Hinge plate                 |
| <b>15 Z314N</b> | Hinge black                 |



- |                 |                             |
|-----------------|-----------------------------|
| <b>16 Z315</b>  | Top-case push button        |
| <b>17 Z405</b>  | Name holder                 |
| <b>18 Z639</b>  | Top-case reflector Tour E30 |
| <b>19 Z846R</b> | Circuit covering cap        |



- 1 **Z34FN**\* \* E28-E34-E38 bottom-shell black
- 2 **Z101** Push set protection
- 3 **Z103**\* \* Top-case hinge
- 4 **Z104** Square two holes
- 5 **Z105** Key lock plate
- 6 **Z106** Bolt
- 7 **Z107** Bag yarn
- 8 **Z108** Top-case push button red
- 9 **Z109** Long bolt springs
- 10 **Z112R** Red pulley
- 11 **Z118**▲ Plate two holes
- 12 **Z119** Top-case reflector
- 13 **Z120-28**\* \* Series of E28 stickers
- 14 **Z158** Spare elastic belt
- 15 **Z159R** Bag lock lining
- 16 **Z1237** Push button spring with washer

- 17 **Z193** Hinge pin 62 mm
- 18 **Z195** Hinge pin 78 mm
- 19 **Z210** Chrome bushing for lock set
- 20 **Z140R** Lock key
- 21 **Z110** Plate four holes

\* \*ITEM OUT OF STOCK

E 2 8 0 B O X Y



- 1 **Z280CN** E280 Boxy top-shell black
- 2 **Z29FN** E280 bottom-shell black
- 3 **Z200N** GIVI logo
- 4 **Z191R** Bolt spring
- 5 **Z193** Hinge pin 62 mm
- 6 **Z195** Hinge pin 78 mm
- 7 **Z210** Chrome bushing for lock set
- 8 **Z236** Hinge spring
- 9 **Z238** Top-case reflector
- 10 **Z243** Key lock plate
- 11 **Z309N**\* \* Boxy sticker, black
- 12 **Z310** Bolt
- 13 **Z312** Hinge plate
- 14 **Z314N** Hinge black
- 15 **Z315** Top-case push button

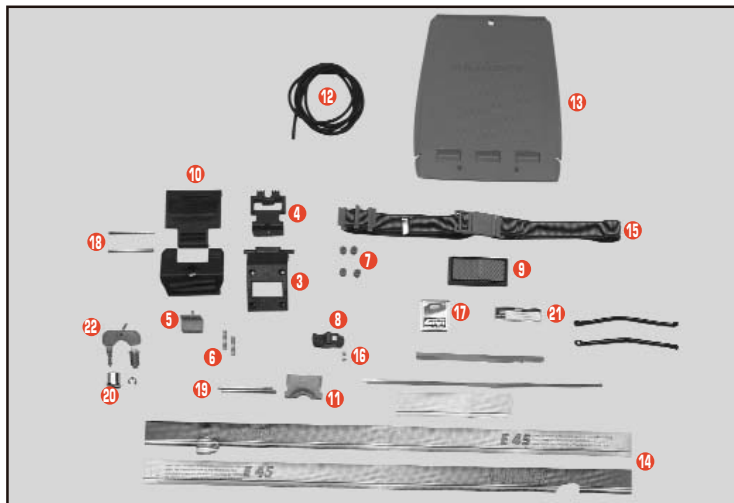
- 16 **Z405** Name holder
- 17 **Z140R** Lock key
- 18\* **Z200TR**\* \* Transparent E280 mark
- 19 **Z314T** Hinge transparent
- 20\* **Z315TR**\* \* Boxy chrome-satin transparent bottom
- 21\* **Z804TR** Boxy chrome-satin transparent key lock cover

\* \*ITEM OUT OF STOCK

\* Only transparent version



<b>1</b>	<b>Z36CN</b>	E36-E45 top-shell black
<b>2</b>	<b>Z45FN</b>	E45 bottom-shell black
<b>3</b>	<b>Z101</b>	Push set protection
<b>4</b>	<b>Z106</b>	Bolt
<b>5</b>	<b>Z108</b>	Top-case push botton red
<b>6</b>	<b>Z109</b>	Long bolt springs
<b>7</b>	<b>Z112R</b>	Red pulley
<b>8</b>	<b>Z153</b>	Key lock plate
<b>9</b>	<b>Z119</b>	Top-case reflector
<b>10</b>	<b>Z152N</b>	Top-case hinge E45 nera
<b>11</b>	<b>Z117</b>	Hinge plate
<b>12</b>	<b>Z159R</b>	Bag lock lining
<b>13</b>	<b>Z160</b>	Inner document holder
<b>14</b>	<b>Z166</b>	Series stickers E45
<b>15</b>	<b>Z167</b>	Spare elastic belt
<b>16</b>	<b>Z1237</b>	Push button spring with washer

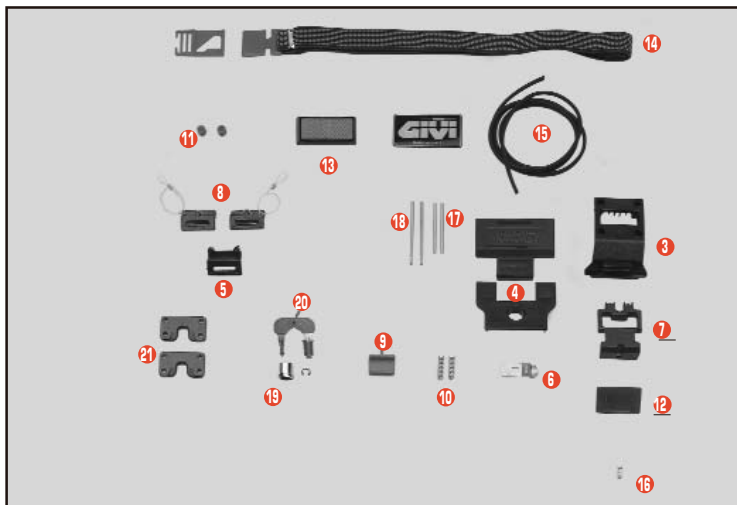


<b>17</b>	<b>Z186</b>	Rectangular GIVI mark
<b>18</b>	<b>Z194* *</b>	Pin medium size 66 mm
<b>19</b>	<b>Z195</b>	Hinge pin 78 mm
<b>20</b>	<b>Z210</b>	Chrome bushing for lock set
<b>21</b>	<b>Z405</b>	Name holder.
<b>22</b>	<b>Z140R</b>	Lock key
	<b>Z155</b>	Pass belt
<b>23</b>	<b>Z664</b>	Stop bag opening yarn with plastic sleeve

\* \*ITEM OUT OF STOCK

<b>1</b>	<b>Z42CN</b>	E42 top-shell black
<b>2</b>	<b>Z42FN</b>	E42 bottom-shell black
<b>3</b>	<b>Z186</b>	Rectangular GIVI mark
<b>4</b>	<b>Z191R</b>	Push botton spring
<b>5</b>	<b>Z194* *</b>	Pin medium size 66 mm
<b>6</b>	<b>Z195</b>	Hinge pin 78 mm
<b>7</b>	<b>Z210</b>	Chrome bushing for lock set
<b>8</b>	<b>Z236</b>	Hinge spring
<b>9</b>	<b>Z237</b>	Top-case reflector
<b>10</b>	<b>Z243</b>	Key lock plate
<b>11</b>	<b>Z248</b>	Name holder
<b>12</b>	<b>Z310</b>	Bolt
<b>13</b>	<b>Z312</b>	Hinge plate
<b>14</b>	<b>Z314N</b>	Hinge black
<b>15</b>	<b>Z315</b>	Top-case push botton
<b>16</b>	<b>Z140R</b>	Lock key

\* \*ITEM OUT OF STOCK

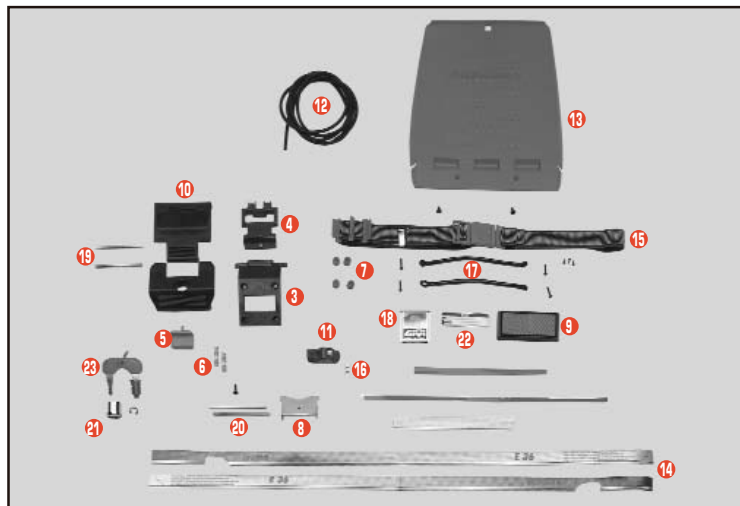


- 1 **Z38CN** \* \* E38 top-shell black
- 2 **Z34FN** \* \* E28-E34-E38 bottom-shell black
- 3 **Z101** Push set protection
- 4 **Z103** \* \* Top-case hinge
- 5 **Z104** Square two holes
- 6 **Z105** Key lock plate
- 7 **Z106** Bolt
- 8 **Z107** Bag yarn
- 9 **Z108** Top-case push button red
- 10 **Z109** Long bolt springs
- 11 **Z112R** Red pulley
- 12 **Z118** ▲ Plate two holes
- 13 **Z119** Top-case reflector
- 14 **Z158** Spare elastic belt
- 15 **Z159R** Bag lock lining
- 16 **Z1237** Push button spring with washer

- 17 **Z193** Hinge pin 62 mm
- 18 **Z195** Hinge pin 78 mm
- 19 **Z210** Chrome bushing for lock set
- 20 **Z140R** Lock key
- 21 **Z110** Plate four holes

\* \*ITEM OUT OF STOCK

E 3 6



- 1 **Z36CN** E36-E45 top-shell black
- 2 **Z36FN** E36 bottom-shell black
- 3 **Z101** Push set protection
- 4 **Z106** Bolt
- 5 **Z108** Top-case push button red
- 6 **Z109** Long bolt springs
- 7 **Z112R** Red pulley
- 8 **Z185** Hinge plate
- 9 **Z119** Top-case reflector
- 10 **Z151N** ▲ Top-case hinge E36 black
- 11 **Z153** Key lock plate
- 12 **Z159R** Bag lock lining

- 13 **Z160** Inner document holder
- 14 **Z165** Adhesive series for E36
- 15 **Z167** Spare elastic belt
- 16 **Z1237** Push button spring with washer
- 17 **Z664** Stop bag opening yarn E36 O96 with plastic sleeve
- 18 **Z186** GIVI logo
- 19 **Z194** \* \* Pin medium size 66 mm
- 20 **Z195** Hinge pin 78 mm
- 21 **Z208** ▲ Chrome bushing for lock set
- 22 **Z405** Name holder
- 23 **Z140R** Lock key
- Z155** Pass belt

\* \*ITEM OUT OF STOCK



1	Z106	Bolt
2	Z109	Bolt springs
3	Z112R	Red pulley
4	Z1237	Push botton spring
5	Z193	Hinge pin 62 mm
6	Z200	GIVI logo Monokey
7	Z282	Top-case push botton
8	Z298	Handle felt
9	Z827	Top-case reflector
10	Z840	8x5mm shell packing black
11	Z362	Light seat chromed
12	Z828	Polycarbonate rear light holder
	Z358	Circuit with lamps for version with stop light already mounted
	Z902N	Lock set E35

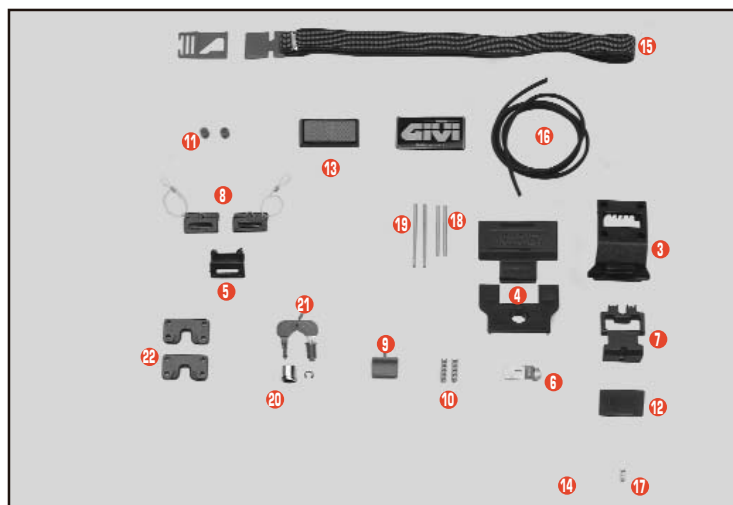
## E35 TRAFFIC2 LOCK SET COMPONENTS

13	Z140R	Lock key
14	Z283	Handle spring 0,8
15	Z284	Lock spring 1,3
16	Z286	Glass for small name plate
17	Z287	Lock plate
18	Z289	Name holder
19	Z300N ▲	Complete handle black
20	Z290N ▲	Hinge black
21	Z307	Key lock plate
22	Z294	Pin 55,5 mm
23	Z295	Pin 58,5 mm
24	Z296	Pin 101 mm
25	Z297	Pin 140 mm

## E 3 4

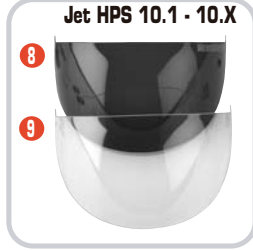
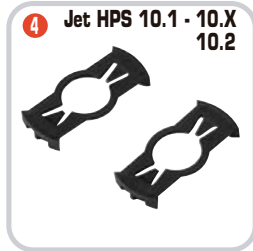
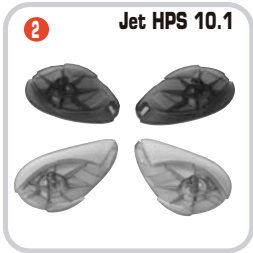


1	Z34CN	E34 top-shell black
2	Z34FN *	E28-E34-E38 bottom-shell black
3	Z101	Push set protection
4	Z103 *	Top-case hinge
5	Z104	Square two holes
6	Z105	Key lock plate
7	Z106	Bolt
8	Z107	Bag yarn
9	Z108	Top-case push botton red
10	Z109	Long bolt springs
11	Z112R	Red pulley
12	Z118 ▲	Plate two holes
13	Z119	Top-case reflector
14	Z158	Spare elastic belt
15	Z159R	Bag lock lining
16	Z1237	Push botton spring
17	Z193	Hinge pin 62 mm



18	Z195	Hinge pin 78 mm
19	Z210	Chrome bushing for lock set
20	Z140R	Key
21	Z110	Plate four holes

\* \*ITEM OUT OF STOCK



- 1 Z1032** Visor retaining cover
- 2 Z1033** Side plate, blue
- 2 Z1034** Side plate, grey for Jet HPS 10.1
- 3 Z1132** Visor retaining cover+side plate, grey for Jet HPS 10.X
- 4 Z1035** Visor retaining cover – black part for Jet HPS 10.1, 10.X e 10.2
- 5 Z1036** Visor retaining cover – white part for Jet HPS 10.1, 10.X e 10.2
- 6 Z1134** Inner lining size 54+cheek pad for Jet HPS 10.1 e 10.X
- 6 Z1136** Inner lining size 56+cheek pad for Jet HPS 10.1 e 10.X
- 6 Z1138** Inner lining size 58+cheek pad for Jet HPS 10.1 e 10.X
- 6 Z1130** Inner lining size 60+cheek pad for Jet HPS 10.1 e 10.X
- 6 Z1131** Inner lining size 61+cheek pad for Jet HPS 10.1 e 10.X
- 7 Z1129** Cheek pad XS for Jet HPS 10.1 e 10.X
- 7 Z1133** Cheek pad S-M for Jet HPS 10.1 e 10.X
- 7 Z1135** Cheek pad L-XL for Jet HPS 10.1 e 10.X
- 8 Z431F\*** Visor smoked for Jet HPS 10.1 e 10.X
- 9 Z431T** Visor transparent for Jet HPS 10.1 e 10.X
- 9 Z431L\*** Visor transparent, for Jet HPS 10.1 e 10.X 2 cm. higher than the original

\*WITHOUT HOMOLOGATION

**DUE TO COMPLIANT ISSUES, NO OTHER SPARES WILL BE PROVIDED**

COMPONENTS DEMI-JET GIVI HPS 10.2



- 10 Z1175** Cheek pad pair, size XS for Demi-Jet HPS 10.2
- Z1176** Cheek pad pair, size S for Demi-Jet HPS 10.2
- Z1177** Cheek pad pair, size M for Demi-Jet HPS 10.2
- Z1178** Cheek pad pair, size L for Demi-Jet HPS 10.2
- Z1179** Cheek pad pair, size XL for Demi-Jet HPS 10.2
- 11 Z1180** Inner lining size 54 for Demi-Jet HPS 10.2
- Z1181** Inner lining size 56 for Demi-Jet HPS 10.2
- Z1182** Inner lining size 58 for Demi-Jet HPS 10.2
- Z1183** Inner lining size 60 for Demi-Jet HPS 10.2
- Z1184** Inner lining size 61 for Demi-Jet HPS 10.2
- 12 Z1185** Painted side plates in silver G730 for Demi-Jet HPS 10.2
- Z1186** Painted side plates in silver G740 for Demi-Jet HPS 10.2
- Z1187** Painted side plates in silver G754 for Demi-Jet HPS 10.2
- Z1188** Painted side plates in silver N900 for Demi-Jet HPS 10.2
- Z1189** Painted side plates in silver N901 for Demi-Jet HPS 10.2
- Z1190** Painted side plates in silver B508 for Demi-Jet HPS 10.2
- 13 Z1173\*** Anti-scratch transparent visor for Demi-Jet HPS 10.2
- 14 Z1193\*** Smoked visor for Jet Helmet HPS 10.2 for Demi-Jet HPS 10.2

\*WITHOUT HOMOLOGATION

**DUE TO COMPLIANT ISSUES, NO OTHER SPARES WILL BE PROVIDED**



T405



T411



T421



T427



T419



T422



T426



T409



T400NG



T401NG



T410

1	ZT405A	Rain cover, 1 pc.
1	Z1246	Clips medium
1	ZT411C	Fastening elastic belts, 2 pcs
2	ZT411A	Rain cover, 1 pc.
2	Z1246	Clips medium
2	ZT411C	Fastening elastic belts, 2 pcs
3	ZT421A	Rain cover, 1 pc.
3	ZT421B	Clips - medium size
3	ZT411C	Fastening elastic belts, 2 pcs
4	ZT427A	Rain cover, 1 pc.
4	ZT411C	Fastening elastic belts, 2 pcs
5	ZT419A	Rain cover, 1 pc.
5	ZT419B	Safety belt
5	ZT410B	Fastening elastic belts, 4 pcs
5	ZT400C	Shoulder belt
6	ZT422A	Rain cover, 1 pc.
6	ZT400B	Safety belt
6	ZT400C	Shoulder belt
7	ZT400A	Rain cover, 1 pc.
7	ZT426B	Safety belt
8	ZT400B	Safety belt
9	ZT400A	Rain cover, 1 pc.
9	ZT400B	Safety belt
9	ZT400C	Shoulder belt
10	ZT400A	Rain cover, 1 pc.
10	ZT401B	Adjustable fastening belts, 4 pcs
10	ZT400B	Safety belt
10	ZT400C	Shoulder belt
10	ZT430B	Safety belt
10	ZT430C	Belts for rucksack with clips
11	ZT410A	Rain cover, 1 pc.
11	ZT410B	Fastening elastic belts, 4 pcs
11	ZT400B	Safety belt
11	ZT400C	Shoulder belt

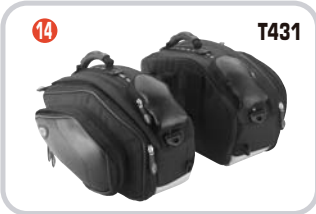




T413



T430



T431



T429



T430S



T434S



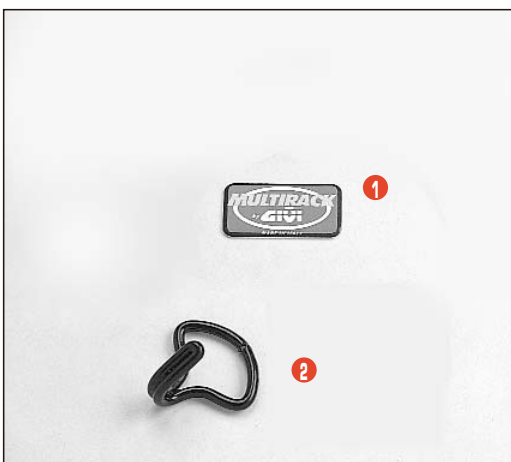
T432



T435

- 12 ZT413A** Rain cover, 1 pc. \_\_\_\_\_
- 12 Z1246** Clips medium \_\_\_\_\_
- 13 ZT430A** Rain cover, 1 pc. \_\_\_\_\_
- 14 ZT431A** Rain cover, 1 pc. \_\_\_\_\_
- 14 ZT431B** Fastening elastic belts, 2 pcs \_\_\_\_\_
- 15 Z1243** Safety belt, 1 pc. \_\_\_\_\_
- 15 ZT429A** Rain cover, 1 pc. \_\_\_\_\_
- 16 ZT430A** Rain cover, 1 pc. \_\_\_\_\_
- 16 ZT430B** Safety belt \_\_\_\_\_
- 16 ZT430C** Belts for rucksack with clips \_\_\_\_\_
- 16 ZT430FV** Bag base preset for suction cups \_\_\_\_\_
- 16 Z1244** Set of suction cups for tank bag, 2 pz. \_\_\_\_\_
- 17 ZT434A** Rain cover, 1 pc. \_\_\_\_\_
- 17 ZT430B** Safety belt \_\_\_\_\_
- 17 ZT430C** Belts for rucksack with clips \_\_\_\_\_
- 17 ZT434FV** Bag base preset for suction cups \_\_\_\_\_
- 17 Z1244** Set of suction cups for tank bag, 2 pz. \_\_\_\_\_
- 18 ZT432A** Rain cover, 1 pc. \_\_\_\_\_
- 18 ZT432B** Fastening belts \_\_\_\_\_
- 19 ZT435A** Rain cover, 1 pc. \_\_\_\_\_
- 19 ZT435B** Adhesive velcro (rough side) \_\_\_\_\_
- Z1245** Clips small \_\_\_\_\_
- Z1246** Clips medium \_\_\_\_\_
- Z1247** Clips big \_\_\_\_\_

## MULTIRACK / S400



- 1 Z346▲** Multirack Logo \_\_\_\_\_
- 2 Z832** Multirack hook \_\_\_\_\_
- Z150▲** Key for S400 \_\_\_\_\_

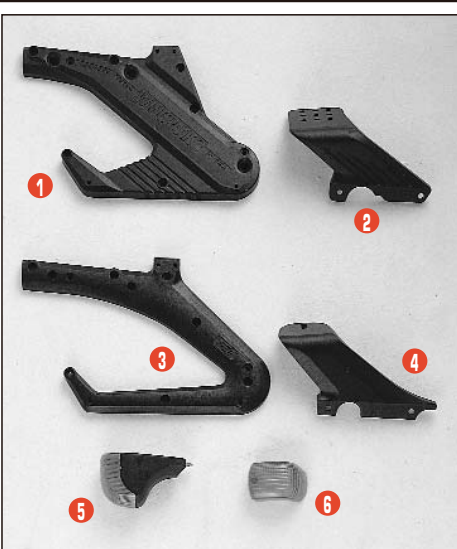
- Z221** Spare rubber cap for tubular sidecase holder, 1 piece  
**Z670** Screw cap for hook for sidecase holder, 1 piece

## PLATES

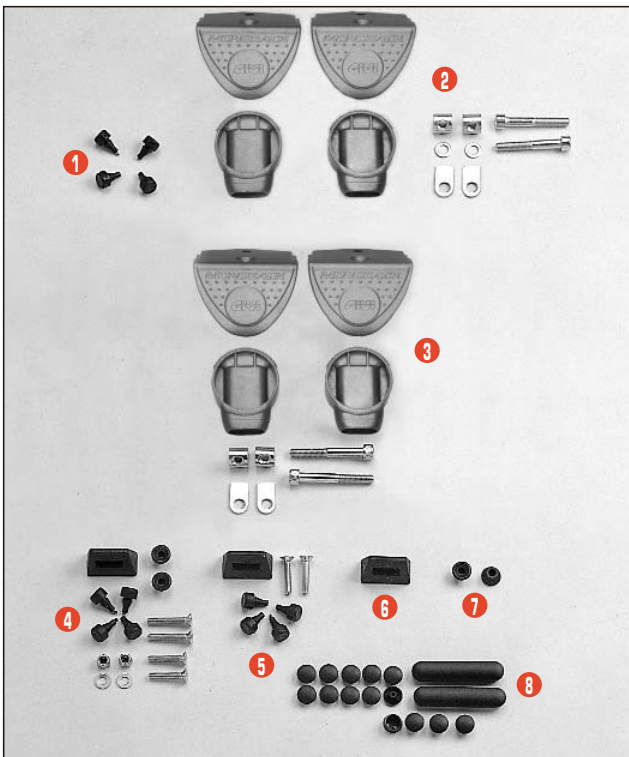


- 1 Z400** Universal nylon plate item E250  
**2 Z401** Cover plate for Z400  
**3 Z113** Monolock plate  
**Z113C** Plate + cover plate + Monolock kit  
**4 Z114** Cover plate for Z113  
**5 Z340** Aluminium plate for Monolock MM  
**6 Z230** Aluminium upper plate for Monokey 2 and Wingrack  
**7 Z255** Nylon upper plate for Monorack 3  
**Z320** Plate, cover plate and minirack kit  
**Z410** Monolock kit for plate Z402  
**8 Z668** Spare plate for M5 plate complete with rubbers, anti theft caps, hole covering and side emblems.  
**9 Z669** Spare plate for M5M plate complete with rubbers, anti theft caps, hole covering and side emblems.

## WINGRACK



- 1 Z132** Wingrack 2 side support (specify if right or left)  
**2 Z131** Wingrack 2 fin (specify if right or left)  
**3 Z164▲** Wingrack 1 side support (specify if right or left)  
**4 Z163▲** Wingrack 1 fin (specify if right or left)  
**5 Z145** Wingrack direction indicator (1 piece) (specify if right or left)  
**6 Z231** Direction indicator's lens for Z145



- 1 Z126** Plate rubber Monorack/Wingrack

---

- 2 Z896** 1 set joint Monorack 35

---

- 3 Z890** 1 joint set for Monorack 2/3

---

- 4 E115F1** Junction kit bag luggage for Monorack

---

- 5 E115F2** Junction kit bag luggage for Monorack 2/4

---

- 6 Z124** Bag case attachment clamps

---

- 7 Z125** Bag case attachment mushroom spacer (2pcs)

---

- 8 Z128** Complete kit for plastic boss for Wingrack

## STOP LIGHT SPARES



- 1 Z1081** Spare top-shell contact for stoplight kit:

---

- 2 Z1089** Spare contact between top and bottom-shell:

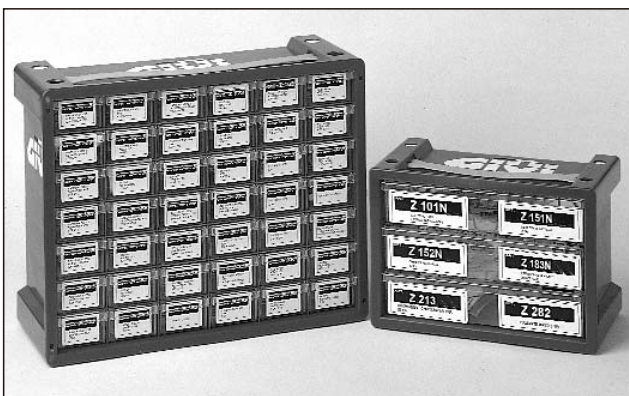
---

- 3 Z880** Plate contact with wire for stoplight kit:

---

- 4 Z995M** Spare contact between bottom-shell and plate:

## SPARE PARTS BOX



- Z1500▲** Set of spare parts boxes  
 SIZES: 410x320x150 mm (1 piece)  
 280x400x150 mm (2 pieces)



**Z1600** Luminous sign GIVI for selling point  
SIZES 92x40 cm

**Z2007▲** Exhibitor for screens A 620, A 650, A 700

**Z2011** New exhibitor for Wingrack for shop with brochure holder

**Z2012** Tubular inox exhibitor (Ø10 mm) for A750 screens

**1 Z2014** Exhibitor for 3 Monolock cases and 3 Monokey cases

**Z1050** Helmet holder complete with screws for mounting on exhibitor Z2014

**Z5010** Exhibitor for 9 cases: Equipped with 3 Monolock plates and 6 Monokey plates

**2 Z6012** Exhibitor for 12 cases: Equipped with 3 Monolock plates and 9 Monokey plates

**Z6013▲** Exhibitor for 8 soft bags with document holder

**3 Z6014▲** Exhibitor for 12 helmets

**4 Z6015** Exhibitor for 7/8 soft bags:

**Z6016** Exhibitor for 16 cases: Equipped with 8 Monolock plates and 8 Monokey plates

**5 Z6017▲** Cardboard exhibitor for 1 helmets  
SIZES 380x440x700 cm

**6 Z6018▲** Roter "GIVI" in cardboard  
SIZES 1400x600x450 cm

**7 Z6019** GIVI Carpet  
SIZES: 135 x 200 cm

**Z6020▲** Cardboard exhibitor for 6 helmets

**Z6021▲** Cardboard sign complete with fitting kit

**Z6022** Vertical display for 3 cases

**Z6024** Luminous sign GIVI for selling point  
**NEW** SIZES 48x28 cm

**5 Z7000▲** Exhibitor for 9 wind-screens

**Z7100▲** Exhibitor for 9 spoilers

